

JETCAM

NEW GENERATION OF CAMERAS



Key Features:

- 2.1 Megapixel up to 2400 fps
- 40 Gbps fiber optic interface
- 25 Gbps CoaXPress
- Up to 10 km cable length
- 3G SDI output for local monitor
- Nikon F mount with integrated lens control
- B4 2/3" mount with integrated lens control
- Compatible with KAYA Vision Point™ SDK
- Compatible with KAYA Komodo™ Frame Grabbers
- Customization as per user requirements

Applications:

- Slow Motion
- 3D
- Sports judgment
- Broadcasting
- Sports analytics
- Special Effects

JetCam 19

Super Speed POV Camera

Innovative Approach

JetCam 19 is high speed low-cost global shutter CMOS camera with Fiber or CoaXPress interfaces which supports full HD (1920x1080) high quality video at rates up to 2400fps.

Intelligent Design

Camera incorporates 10µm global shutter sensor and a direct lens control without need of external devices. With compact outline and low power design this camera can be fitted into tight spaces. The 3G SDI output enables connection of local monitor as viewfinder or an installation aid.

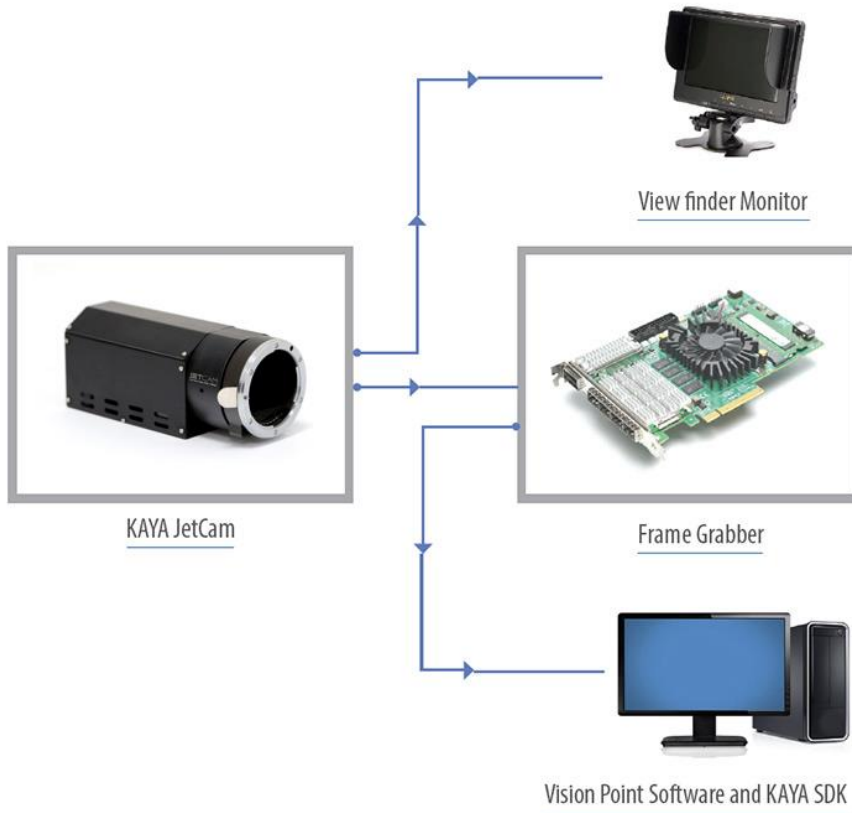


Technical Data (More detailed specifications are available on request)

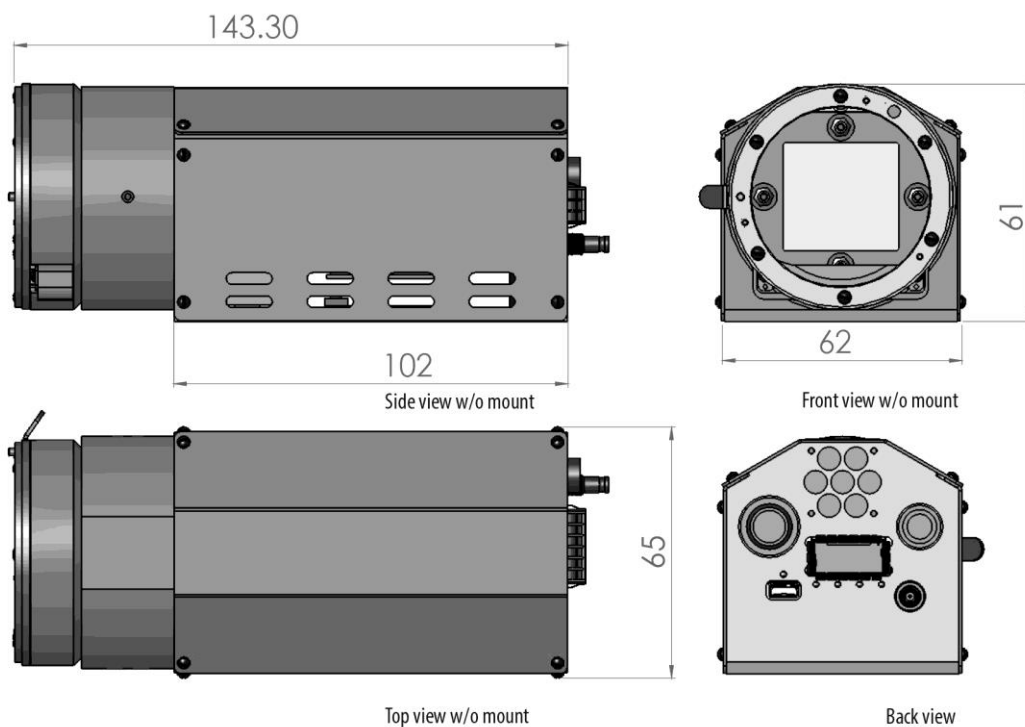
Pixel size	10 μm
Resolution	1920 (H) x 1080 (V)
Sensor size	4/3"
Sensor	LUX19HS
Video output	KAYA Fiber interface up to 40 Gbps, CoaXPress up to 25 Gbps, CLHS up to 40 Gbps, 10GiGE up to 10Gbps
Frame rate	2400 fps @8bit resolution 1920 fps @10bit resolution
Electronic shutter	Global shutter
Responsivity at 550 nm	20V/Lux's (at 500nm)
Temporal Noise	10 e-
MTF	TBD
Full Well Charge	15000 e-
Dynamic range	63dB
Signal-to-Noise Ratio (SNR max)	39dB
Quantum Efficiency (QE) X FF	>45% (at 550 nm)
Dark signal @ 20°C	TBD
Pixel FPN	4 mV rms
PRNU	<1.5% rms
Shortest Exposure	1us
Image acquisition	Continuous / Triggered
Output resolution	8 or 10 bit
Monochrome/ color	Monochrome / Color
Power input	12 VDC (optional 24 VDC)
Weight (without lens)	1260g
Power consumption	<12W
Operating temperature	-10 C to 50 C (Optional -40 to 70 C)
Lens mount	F-Mount, B4, C-mount
On camera processing	Defect pixel correction White balance ROI Image flip Frame counter Flat field correction LUT Gain (Analog / Digital) Auto black level

	Nonvolatile storage
Programmable I/O	2x RS232 (RS485 optional)
Lens control	Nikon lens control (optional)
	Fujinon lens control (optional)
	Custom lens control through RS232/RS485
Complimentary video output	3G SDI

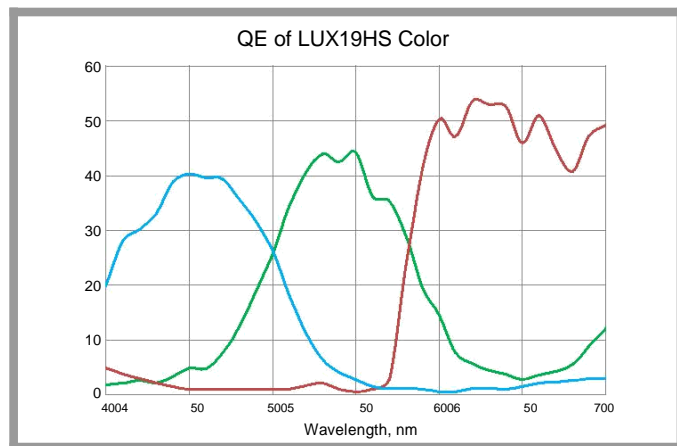
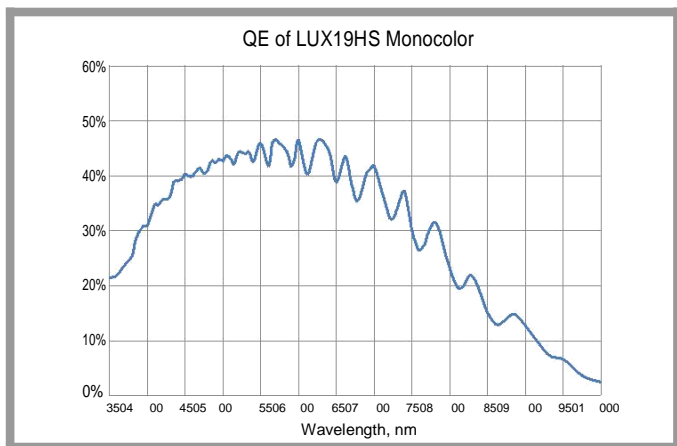
KAYA High Speed Camera Workflow



Camera Body Dimensions



Quantum Efficiency



Compatibility

Supported vision standard



Supported vision libraries



Supported operating systems



Compatible with most popular machine vision libraries

KAYA Instrument strives to create and maintain compatibility and interfaces for the most common and advanced vision image processing libraries and applications. Major support is available for **MVTec Halcon**, **National Instruments LabVIEW** and **MathWorks MATLAB**. Please check our KAYA website for an up-to-date list of other supported libraries and software package.

International Distributors



Sky Blue Microsystems GmbH
Geisenhausenerstr. 18
81379 Munich, Germany
+49 89 780 2970, info@skyblue.de
www.skyblue.de



In Great Britain:
Zerif Technologies Ltd.
Winnington House, 2 Woodberry Grove
Finchley, London N12 0DR
+44 115 855 7883, info@zerif.co.uk
www.zerif.co.uk