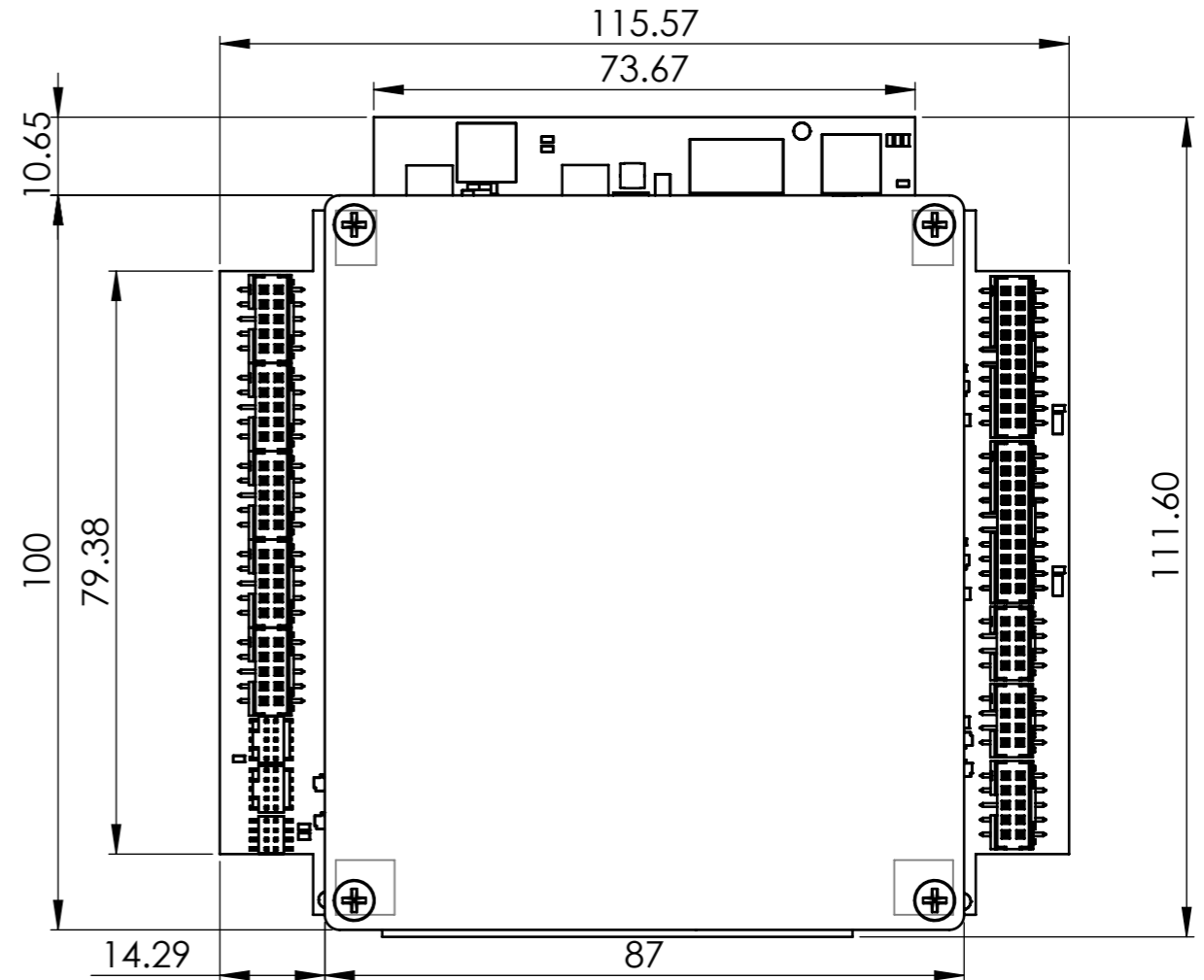
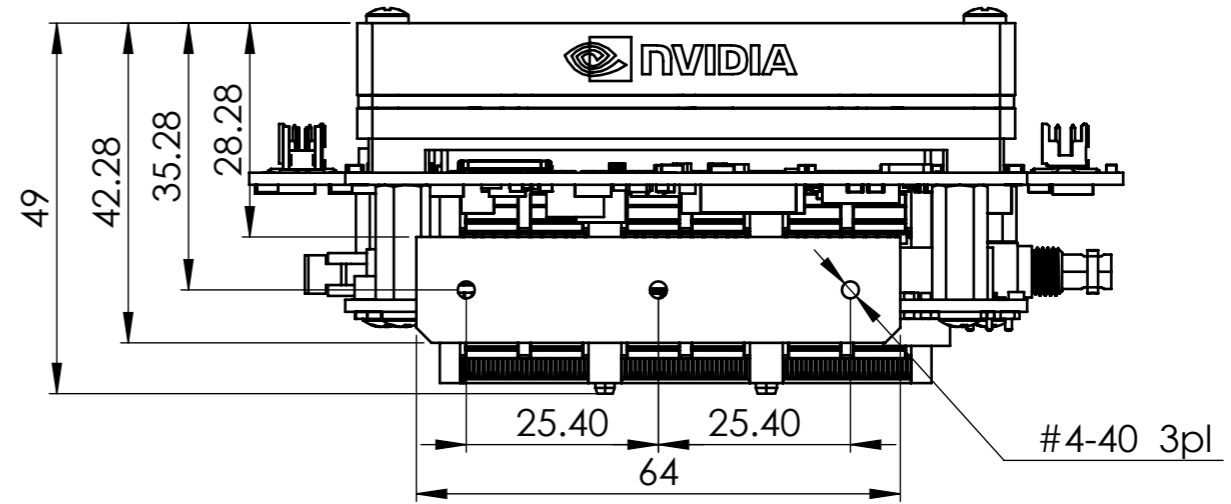


REVISIONS		DATE	APPROVED
ZONE	REV.	DESCRIPTION	



International Distributors



Sky Blue Microsystems GmbH
Geisenhausenerstr. 18
81379 Munich, Germany
+49 89 780 2970, info@skyblue.de
www.skyblue.de



In Great Britain:
Zerif Technologies Ltd.
Winnington House, 2 Woodberry Grove
Finchley, London N12 0DR
+44 115 855 7883, info@zerif.co.uk
www.zerif.co.uk

MATERIAL:	Weight	GENERAL TOL:	1:1	PART NAME: Komodo PC104 Full Assy	
FINISH:		LENGH: ±0,1 HOLE CENTERS: ±0,1 HOLE DIA: ±0,1 ANGLES: ±0,5°		PROJECT: Komodo PC104	
DIMENSIONS IN mm BEFORE COATING <input type="checkbox"/> AFTER COATING <input checked="" type="checkbox"/>			SCALE:	ASSY:	QTY. 1
			3.2	DWG No	REV.
KAYA instruments Ltd		DSG. M. Sister	28.03.2020	KPC.03.03.00	A
THE INFORMATION CONTAINED IN THIS DRAWING IS THE SOLE PROPERTY OF KAYA instruments. ANY REPRODUCTION IN PART OR AS A WHOLE WITHOUT THE WRITTEN PERMISSION OF KAYA instruments IS PROHIBITED.		DRW. M. Sister	28.03.2020	SHEET 1/1 FILE KPC.03.03.00 Komodo PC104 full Assy	
		CHK. M. Yampolsky			
		APR. M. Yampolsky			

A3