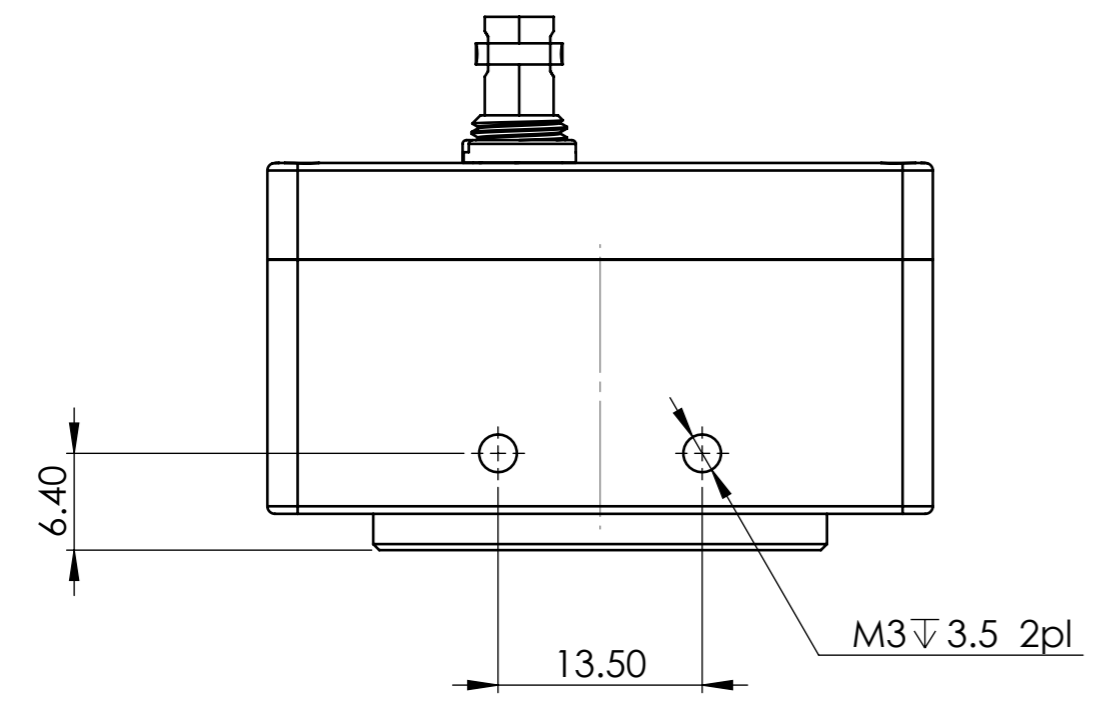
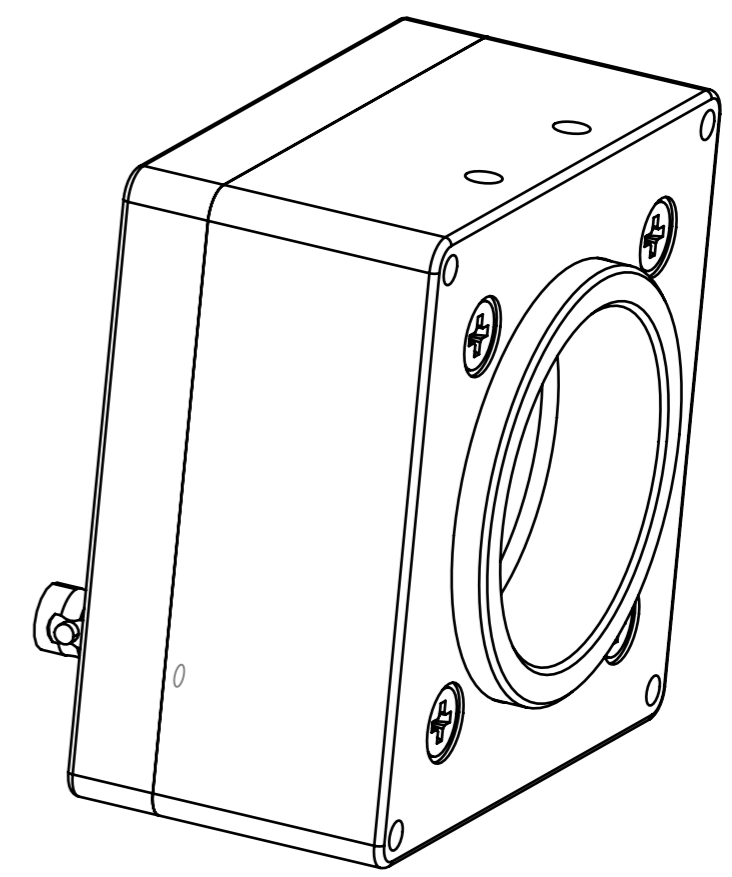
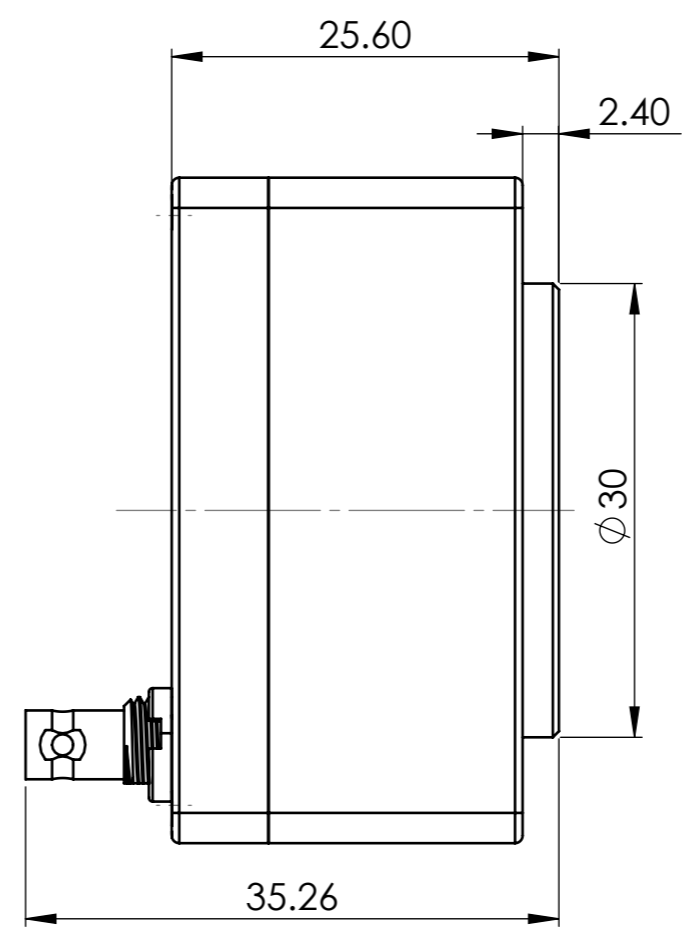
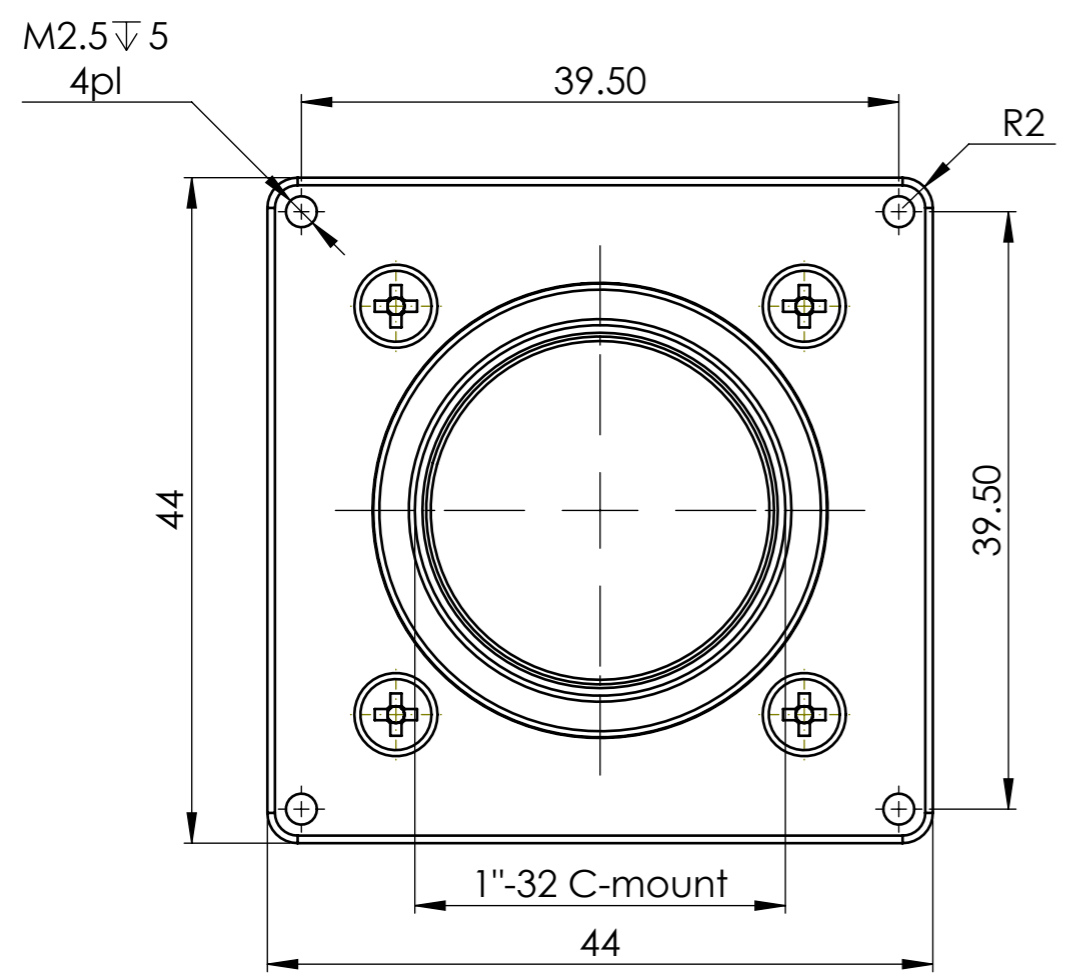


REVISIONS		DATE	APPROVED
ZONE	REV.	DESCRIPTION	

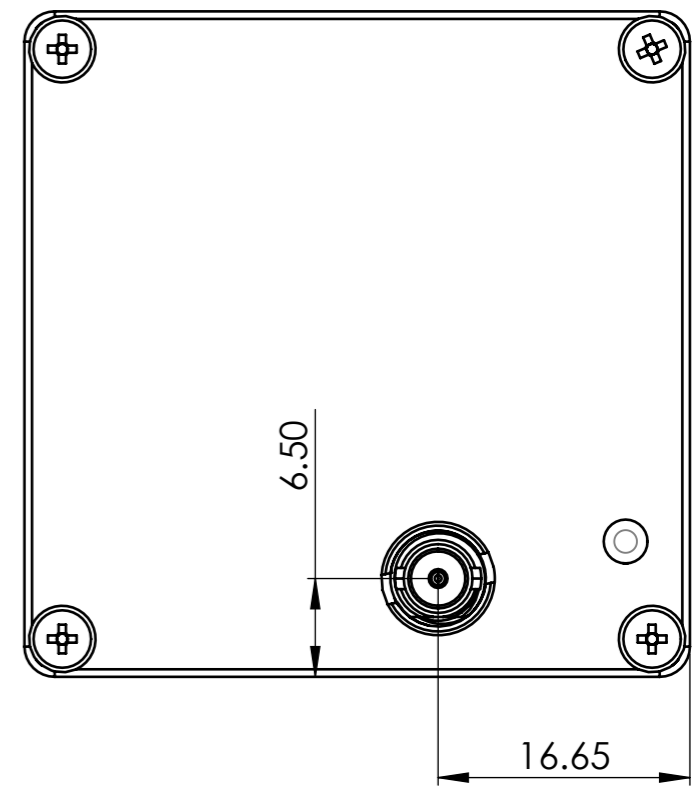
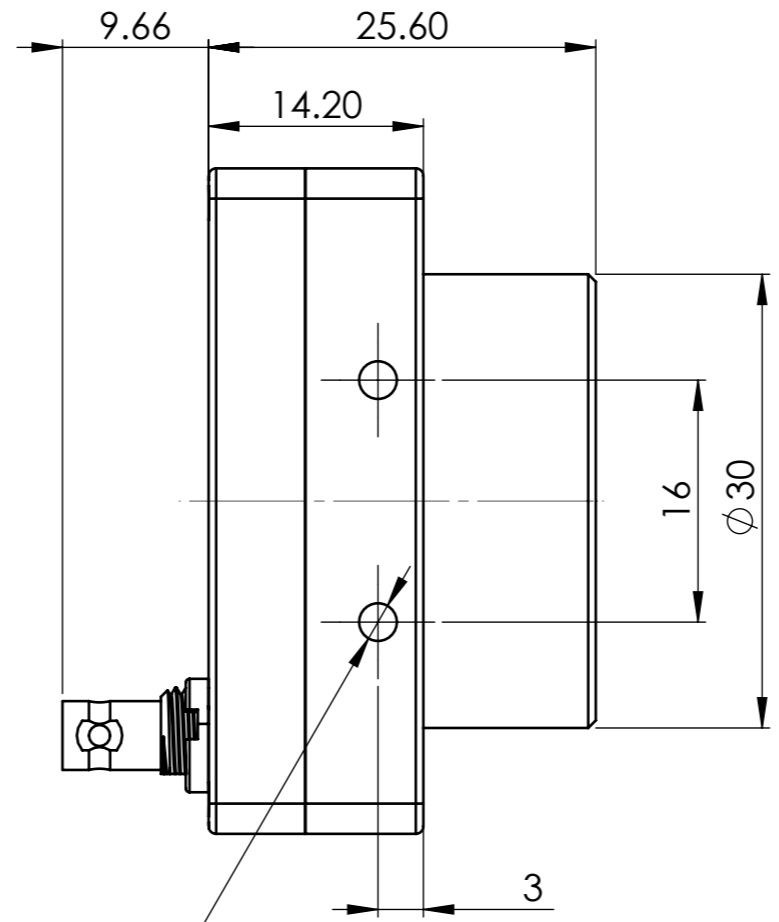
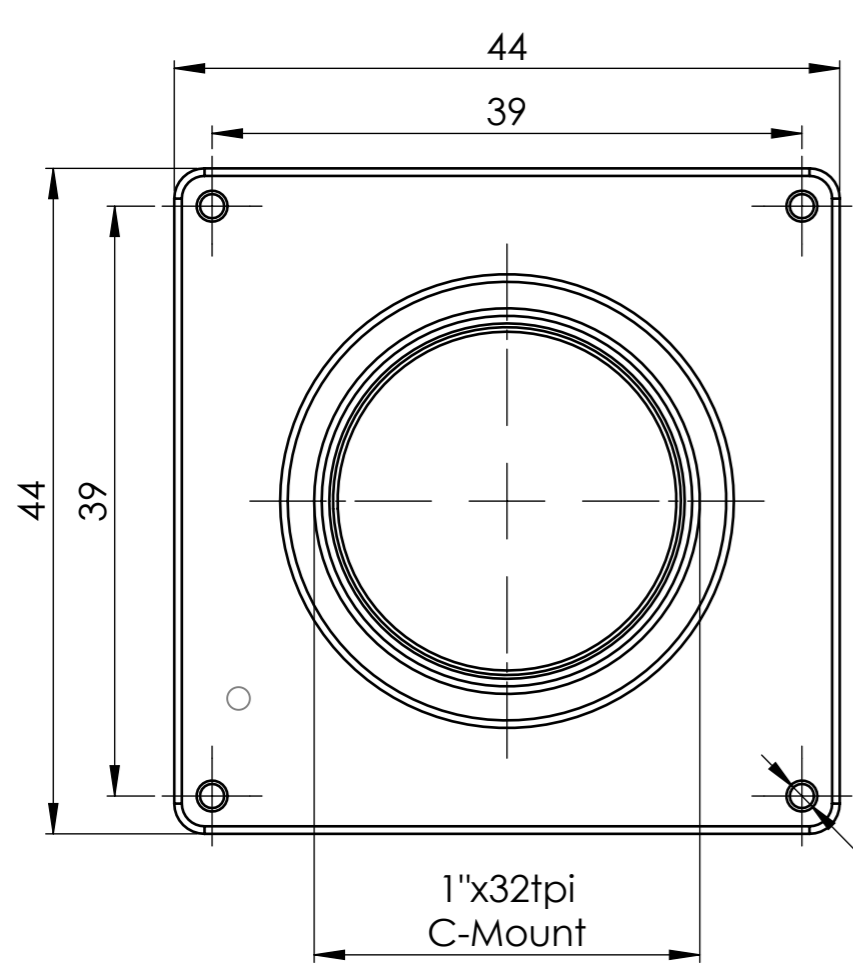
sky blue
 Sky Blue Microsystems GmbH
 Geisenhausenerstr. 18
 81379 Munich, Germany
 +49 89 780 2970, info@skyblue.de
 www.skyblue.de

ZERIF
 TECHNOLOGIES LTD.
 In Great Britain:
 Zerif Technologies Ltd.
 Woodberry House, 2 Woodberry Grove
 Finchley, London N12 0DR
 +44 115 855 7883, info@zerif.co.uk
 www.zerif.co.uk

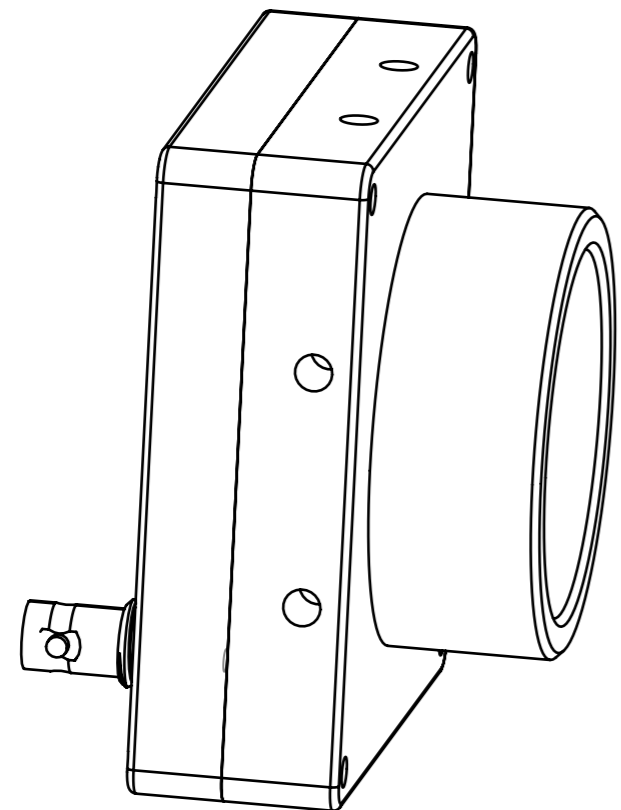


MATERIAL:	Weight 67.42	GENERAL TOL:	2:1	PART NAME: Iron CoaXPress Pan/Tilt											
FINISH:		LENGH: ±0,1 HOLE CENTERS: ±0,1 HOLE DIA: ±0,1 ANGLES: ±0,5°		PROJECT: Iron											
DIMENSIONS IN mm BEFORE COATING <input type="checkbox"/> AFTER COATING <input checked="" type="checkbox"/>			SCALE:	ASSY:	QTY. 1										
KAYA instruments Ltd <small>THE INFORMATION CONTAINED IN THIS DRAWING IS THE SOLE PROPERTY OF KAYA instruments. ANY REPRODUCTION IN PART OR AS A WHOLE WITHOUT THE WRITTEN PERMISSION OF KAYA instruments IS PROHIBITED.</small>			3.2	DWG No	REV.										
			<table border="1"> <tr> <td>DSG.</td> <td>M. Sister</td> <td>24.01.2019</td> </tr> <tr> <td>DRW.</td> <td>M. Sister</td> <td>24.01.2019</td> </tr> <tr> <td>CHK.</td> <td>M. Yampolsky</td> <td></td> </tr> <tr> <td>APR.</td> <td>M. Yampolsky</td> <td></td> </tr> </table>	DSG.	M. Sister	24.01.2019	DRW.	M. Sister	24.01.2019	CHK.	M. Yampolsky		APR.	M. Yampolsky	
DSG.	M. Sister	24.01.2019													
DRW.	M. Sister	24.01.2019													
CHK.	M. Yampolsky														
APR.	M. Yampolsky														
				SHEET 1/1 FILE IRN 01.01.00											

ZONE		REV.	DESCRIPTION	REVISIONS	DATE	APPROVED



M2.5 ∇ 4 4pl
M3 ∇ 5 2pl on each side



International Distributors



Sky Blue Microsystems GmbH
Geisenhausenerstr. 18
81379 Munich, Germany
+49 89 780 2970, info@skyblue.de
www.skyblue.de



In Great Britain:
Zerif Technologies Ltd.
Winnington House, 2 Woodberry Grove
Finchley, London N12 0DR
+44 115 855 7883, info@zerif.co.uk
www.zerif.co.uk

MATERIAL:	Weight 69.76	GENERAL TOL:	2:1	PART NAME: Iron CoaXPress	
FINISH:		LENGH: $\pm 0,1$ HOLE CENTERS: $\pm 0,1$ HOLE DIA: $\pm 0,1$ ANGLES: $\pm 0,5^\circ$		PROJECT: Iron	
DIMENSIONS IN mm BEFORE COATING <input type="checkbox"/> AFTER COATING <input checked="" type="checkbox"/>			SCALE: 3.2	ASSY:	QTY. 1
KAYA instruments Ltd		DSG. M. Sister DRW. M. Sister CHK. M. Yampolsky APR. M. Yampolsky	24.01.2019 24.01.2019	DWG No IRN 03.01.00	REV. A
THE INFORMATION CONTAINED IN THIS DRAWING IS THE SOLE PROPERTY OF KAYA instruments. ANY REPRODUCTION IN PART OR AS A WHOLE WITHOUT THE WRITTEN PERMISSION OF KAYA instruments IS PROHIBITED.				SHEET 1/1 FILE IRN 03.01.00	

A3