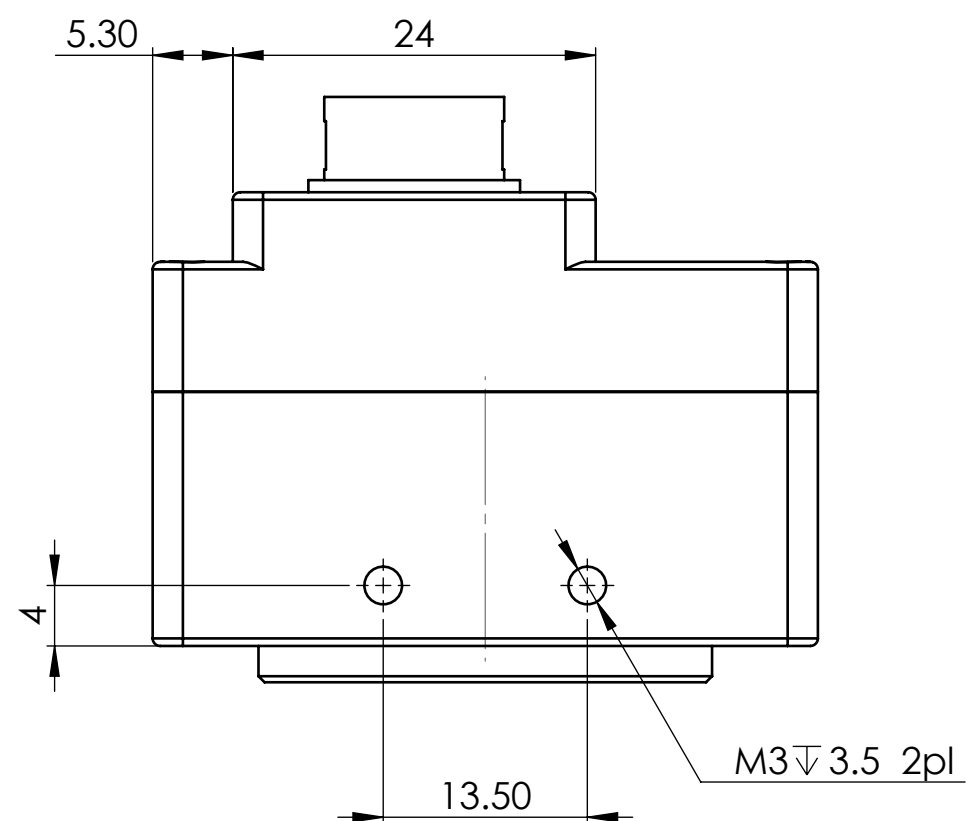
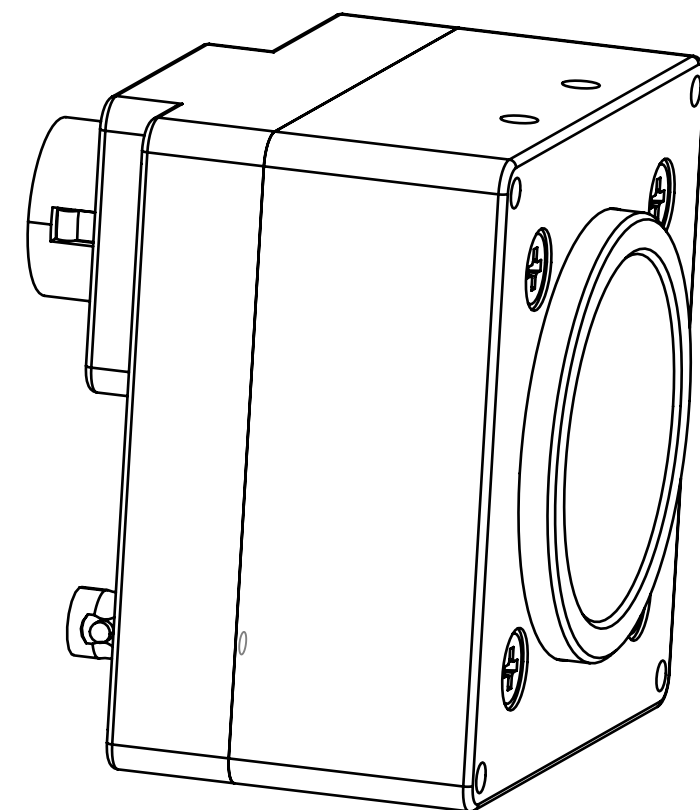
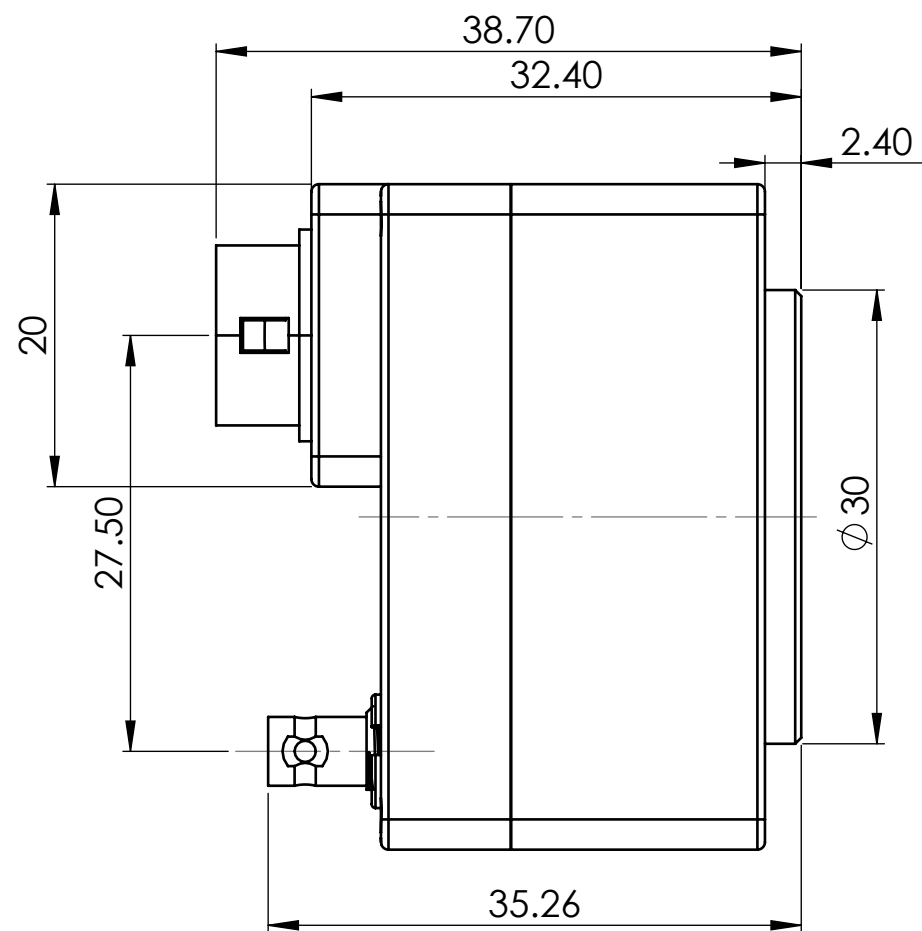
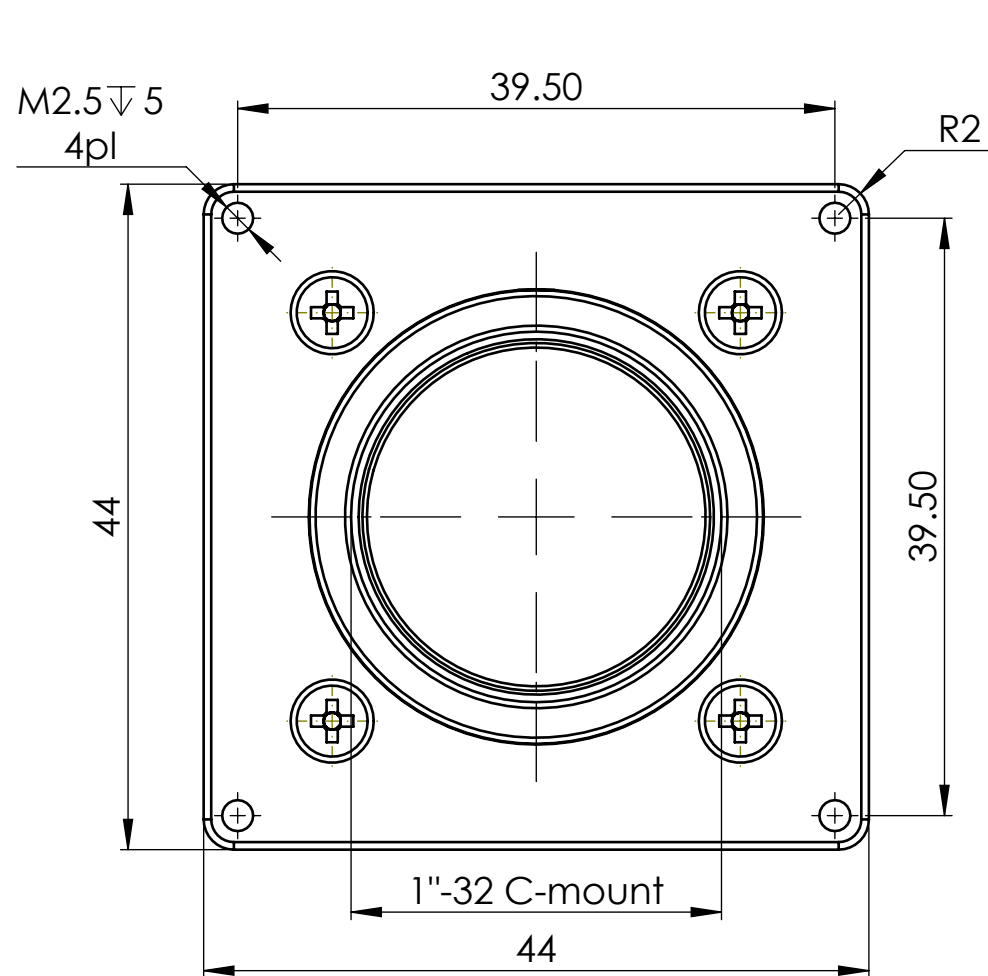


REVISIONS		DATE	APPROVED
ZONE	REV.	DESCRIPTION	

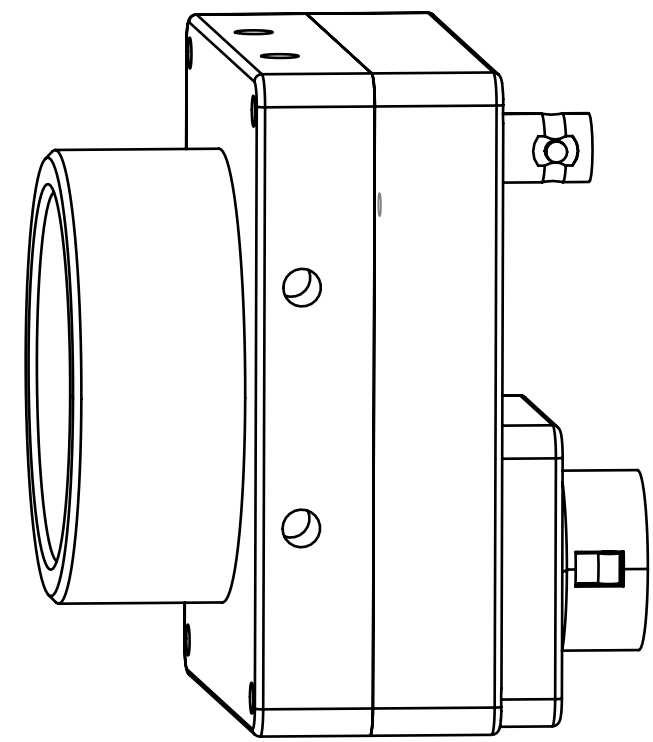
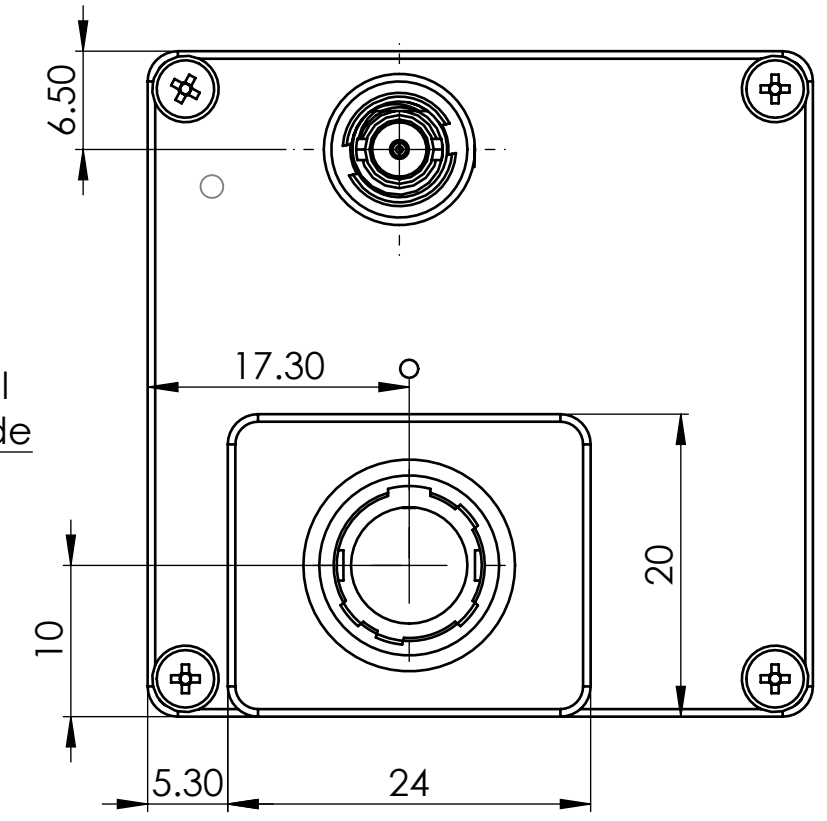
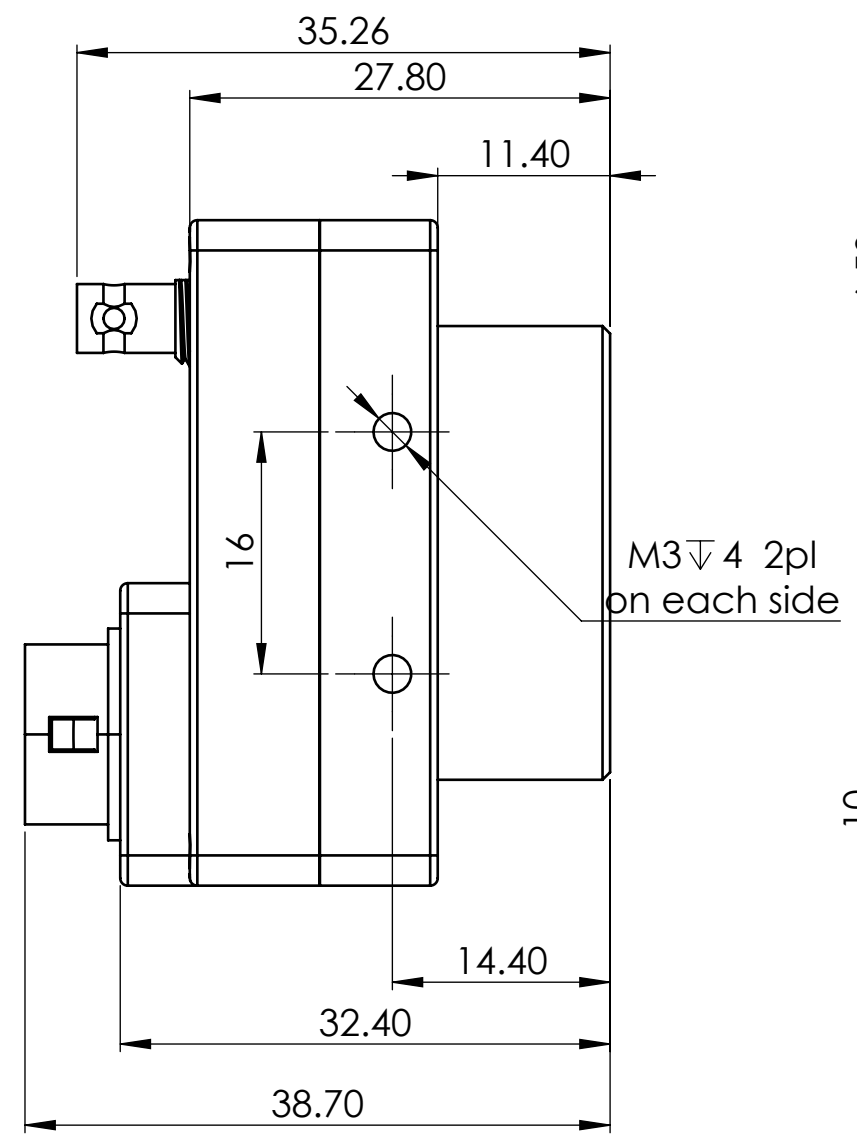
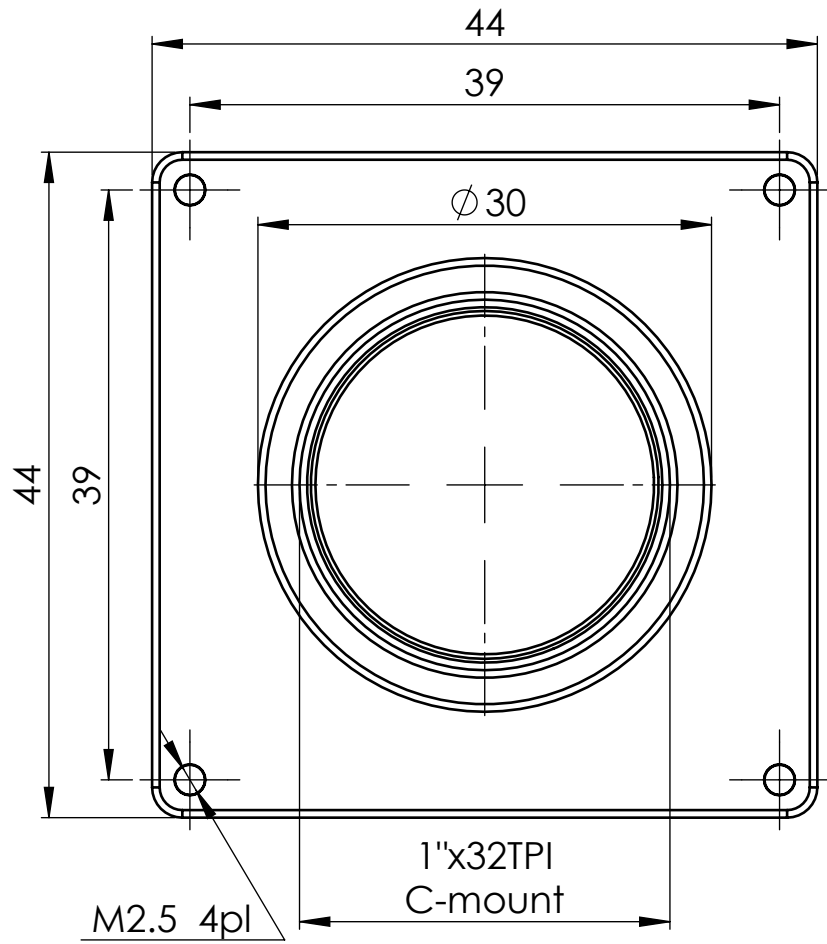
**sky blue**  
 Sky Blue Microsystems GmbH  
 Geisenhausenerstr. 18  
 81379 Munich, Germany  
 +49 89 780 2970, info@skyblue.de  
 www.skyblue.de

**ZERIF**  
 TECHNOLOGIES LTD.  
 A SKY BLUE COMPANY, FOUNDED 1997  
 In Great Britain:  
 Zerif Technologies Ltd.  
 Woodberry House, 2 Woodberry Grove  
 Finchley, London N12 0DR  
 +44 115 855 7883, info@zerif.co.uk  
 www.zerif.co.uk



MATERIAL:	Weight 91.22	GENERAL TOL:	<b>2:1</b>	PART NAME: Iron SDI Pan/Tilt	
FINISH:		LENH: ±0,1 HOLE CENTERS: ±0,1 HOLE DIA: ±0,1 ANGLES: ±0,5°		PROJECT: Iron	
DIMENSIONS IN mm BEFORE COATING <input type="checkbox"/> AFTER COATING <input checked="" type="checkbox"/>			SCALE: 3.2	ASSY:	QTY. 1
<b>KAYA instruments Ltd</b> <small>THE INFORMATION CONTAINED IN THIS DRAWING IS THE SOLE PROPERTY OF KAYA instruments. ANY REPRODUCTION IN PART OR AS A WHOLE WITHOUT THE WRITTEN PERMISSION OF KAYA instruments IS PROHIBITED.</small>				DWG No	REV.
				IRN 01.02.00	A
DSG. M. Sister	24.01.2019	SHEET 1/1 FILE IRN 01.02.00			
DRW. M. Sister	24.01.2019				
CHK. M. Yampolsky					
APR. M. Yampolsky					

ZONE		REV.	DESCRIPTION	REVISIONS	DATE	APPROVED



International Distributors



Sky Blue Microsystems GmbH  
Geisenhausenerstr. 18  
81379 Munich, Germany  
+49 89 780 2970, info@skyblue.de  
www.skyblue.de



In Great Britain:  
Zerif Technologies Ltd.  
Winnington House, 2 Woodberry Grove  
Finchley, London N12 0DR  
+44 115 855 7883, info@zerif.co.uk  
www.zerif.co.uk

MATERIAL:	Weight 69.76	GENERAL TOL:	<b>2:1</b>	PART NAME: Iron SDI	
FINISH:		LENH: ±0,1 HOLE CENTERS: ±0,1 HOLE DIA: ±0,1 ANGLES: ±0,5°		PROJECT: Iron	
DIMENSIONS IN mm BEFORE COATING <input type="checkbox"/> AFTER COATING <input checked="" type="checkbox"/>			SCALE:	ASSY:	QTY. 1
			3.2	DWG No	REV.
KAYA instruments Ltd		DSG. M. Sister	24.01.2019	IRN 03.02.00	A
THE INFORMATION CONTAINED IN THIS DRAWING IS THE SOLE PROPERTY OF KAYA instruments. ANY REPRODUCTION IN PART OR AS A WHOLE WITHOUT THE WRITTEN PERMISSION OF KAYA instruments IS PROHIBITED.		DRW. M. Sister	24.01.2019		
		CHK. M. Yampolsky			
		APR. M. Yampolsky		SHEET 1/1 FILE IRN 03.02.00	

**A3**