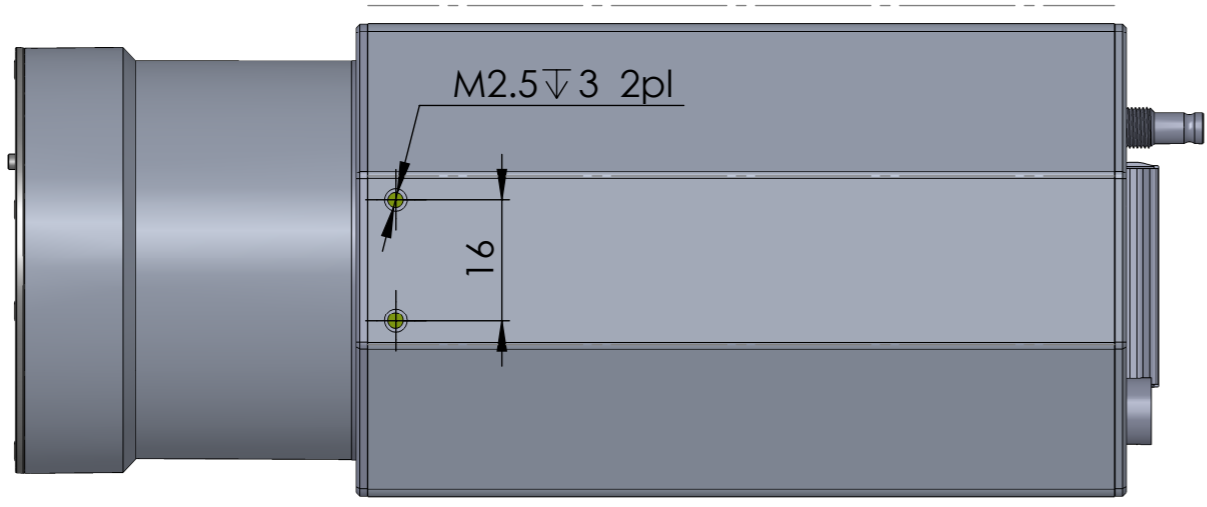
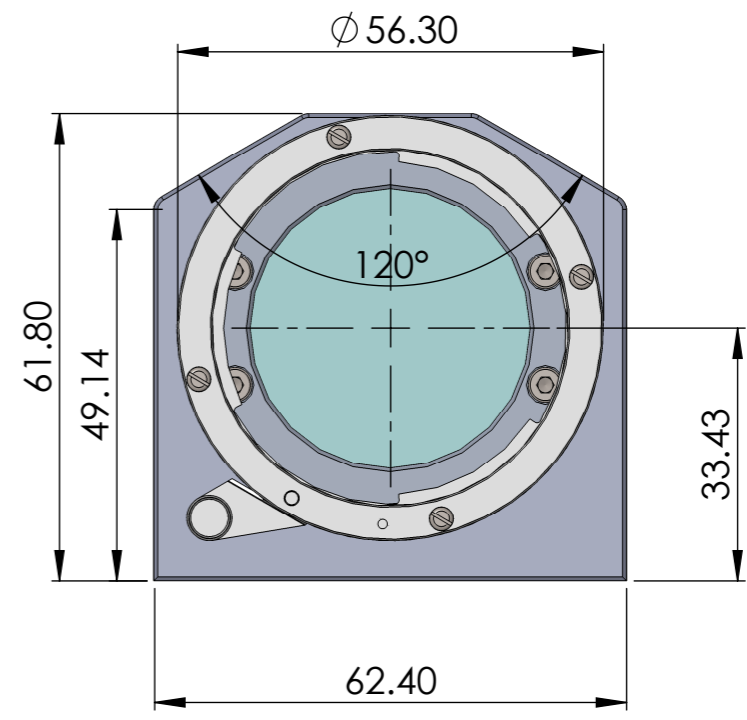
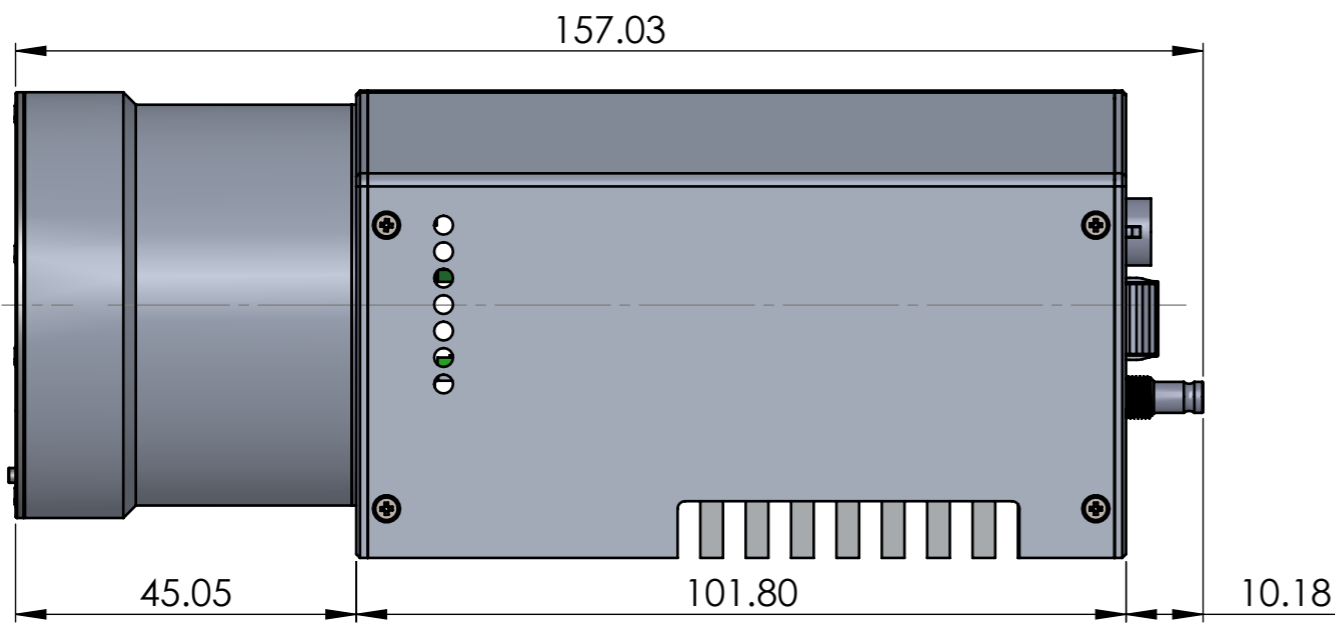
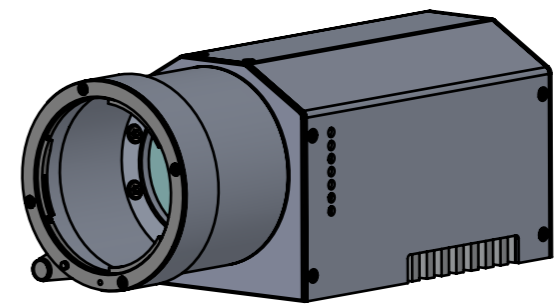
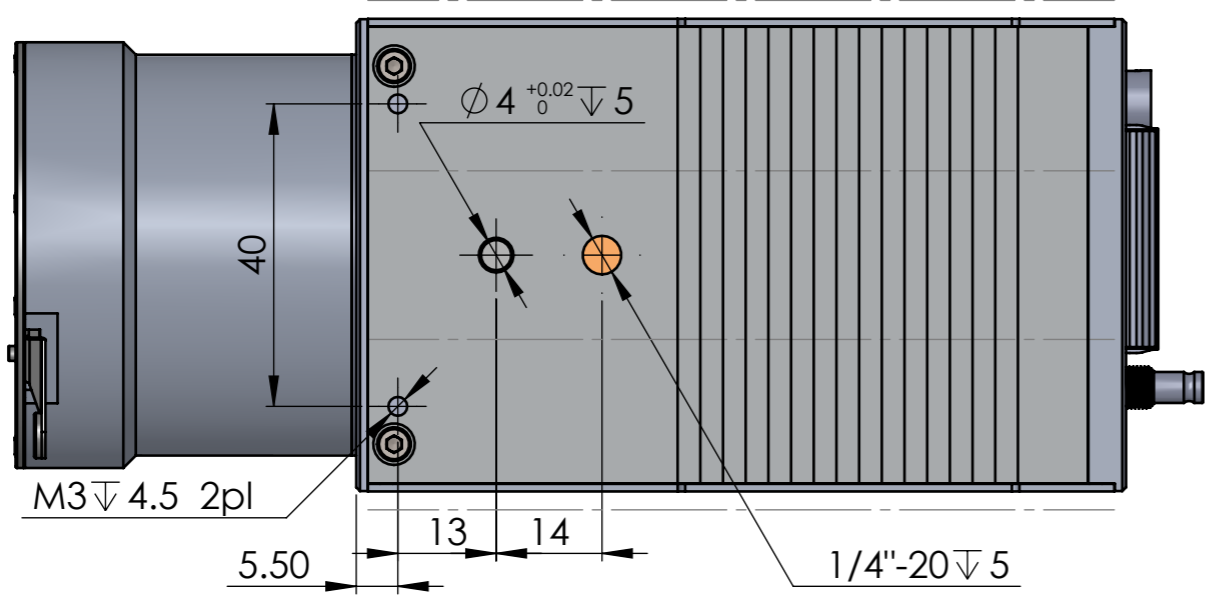


REVISIONS		DATE	APPROVED
ZONE	REV.	DESCRIPTION	



International Distributor



Sky Blue Microsystems GmbH
Geisenhausenerstr. 18
81379 Munich, Germany
+49 89 780 2970, info@skyblue.de
www.skyblue.de

MATERIAL:	Weight	GENERAL TOL:	1:1	PART NAME: JetCam 160	
FINISH:		LENGH: $\pm 0,1$ HOLE CENTERS: $\pm 0,1$ HOLE DIA: $\pm 0,1$ ANGLES: $\pm 0,5^\circ$		PROJECT: JetCam	
DIMENSIONS IN mm BEFORE COATING <input type="checkbox"/> AFTER COATING <input checked="" type="checkbox"/>			SCALE:	ASSY:	QTY. 1
KAYA instruments Ltd <small>THE INFORMATION CONTAINED IN THIS DRAWING IS THE SOLE PROPERTY OF KAYA instruments. ANY REPRODUCTION IN PART OR AS A WHOLE WITHOUT THE WRITTEN PERMISSION OF KAYA instruments IS PROHIBITED.</small>			3.2	DWG No	REV.
		DSG. M. Sister 25.06.2018 DRW. M. Sister 25.06.2018 CHK. M. Yampolsky APR. M. Yampolsky	MP000	A	SHEET 1/1