



## JetCam 19

# JetCam 19 Super Speed, POV Camera

### Innovative Approach

**JetCam 19** is a high speed, low-cost, global shutter CMOS camera with Fiber or CoaXPress interfaces which supports full HD (1920x1080) high quality video at rates up to 2360fps.

### Intelligent Design

The Camera incorporates a 10  $\mu$ m global shutter sensor and a direct lens control (optional) without need of external devices. With compact outline and low power design this camera can be fitted into tight spaces. The 3G SDI output enables connection of local monitor as viewfinder or an installation aid.

### Applications:

- Slow Motion
- 3D Applications
- Sports judgement
- Broadcasting
- Sport analytics
- Special effects

### Key Features:

- 2.1 Megapixel up to 2360 fps
  - 40 Gbps fiber optic interface
  - 25 Gbps CoaXPress
  - Up to 10 km cable length
  - 3G SDI output for local monitoring
  - Wide variety of supported lens mounts
  - B4 2/3" mount with integrated lens control\*
  - Compatible with KAYA Vision Point™ SDK
  - Compatible with KAYA Komodo™ Frame Grabbers
  - Customization as per user requirements
- \* Lens control is optional



## Technical Data

Feature	Description
Pixel Size	10 $\mu\text{m}$ x 10 $\mu\text{m}$
Resolution	1920 (H) x 1080 (V)
Optical Format	4/3"
Sensor	LUX19HS
Video Output	CLHS up to 40 Gbps for QSFP+ CLHS up to 20 Gbps for Dual SFP+ CoaXPress up to 25Gbps (optional) 10GiGE up to 10Gbps (optional)
Complimentary Video Output	3G SDI
Output Resolution	8 or 10 bit
Max Frame Rate	2360 fps @8 bit resolution 1890 fps @10 bit resolution
Image Acquisition	Continuous / Triggered
Electronic Shutter	Global shutter
Monochrome/ Color	Monochrome / Color
Responsivity	20V/Lux's @ 550nm
Temporal Noise	< 17.9 $e^-$
Full Well Charge	12000 $e^-$
Dynamic Range	> 56.1 dB @ 520 nm
Signal-to-Noise Ratio (SNR Max)	41 dB @ 520 nm
Quantum Efficiency (QE) X FF	54.275% @ 520 nm
DSNU	< 32.8 $e^-$ (2.26 LSB10)
PRNU	< 2.5% rms
Shortest Exposure	1.5 $\mu\text{s}$
Programmable I/O	2x RS232 (RS485 optional)
On Camera Processing	<ul style="list-style-type: none"> <li>▪ Defect pixel correction</li> <li>▪ ROI</li> <li>▪ Frame counter</li> <li>▪ LUT</li> <li>▪ Auto black level</li> <li>▪ Auto/Manual White balance</li> <li>▪ Image flip</li> <li>▪ Flat field correction</li> <li>▪ Gain (Analog/Digital)</li> <li>▪ Nonvolatile storage</li> </ul>
Lens Control (Optional)	<ul style="list-style-type: none"> <li>▪ Fujinon lens control</li> <li>▪ Custom lens control through RS232/RS485</li> <li>▪ Birger lens control</li> </ul>

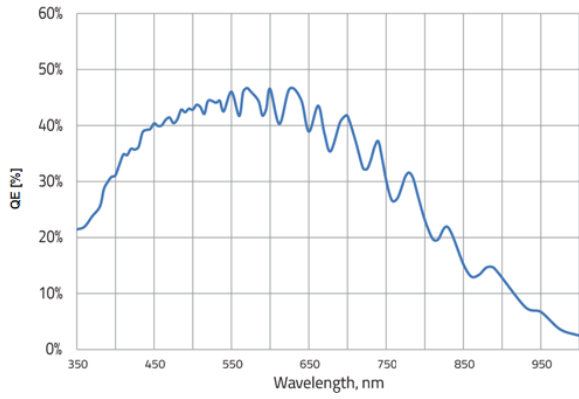
## Mechanical & Electrical

Feature	Description
Dimensions (including lens mount)	61.8 mm x 62.4 mm x 157 mm (Height x Width x Depth)
Lens Mount	F-Mount, B4, C-mount, Canon EF-mount, Birger EF-mount, PL mount
Weight (without Lens)	~1260g
Power Input	12 VDC (optional 24 VDC)
Power Consumption	< 16W
Operating Temperature	-10 °C to 50 °C, 10-90% humidity (non-condensing)
Storage Temperature	-10 °C to 55 °C, 10-90% humidity (non-condensing)

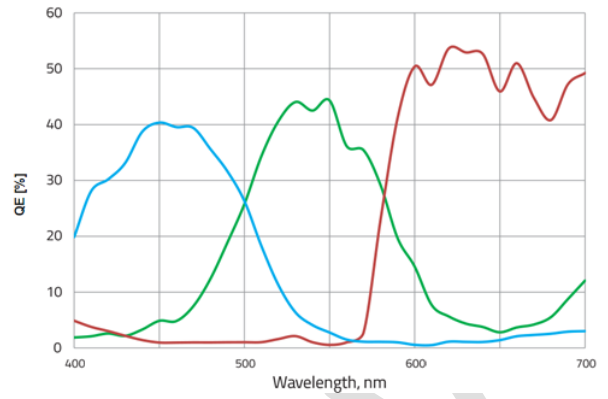
\* KAYA Instruments reserves the right to update the data sheet from time to time without prior notice.

# Quantum Efficiency

QE of LUX19HS – Monocolor

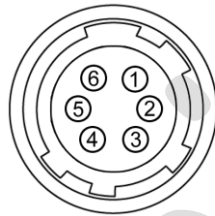


QE of LUX19HS – Color



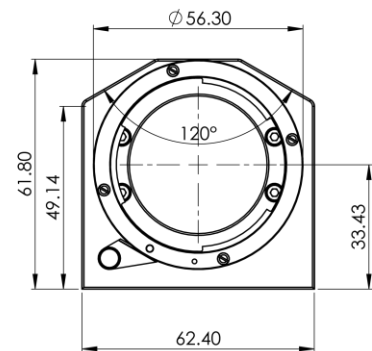
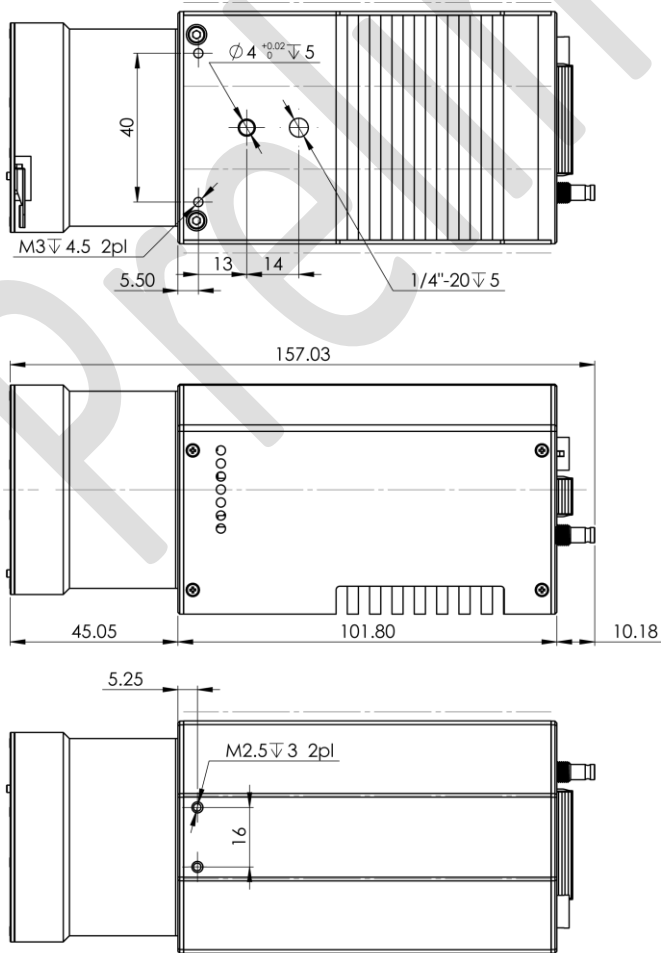
# General Purpose Input Output

GPIO Pinout – 6 Pin Connector

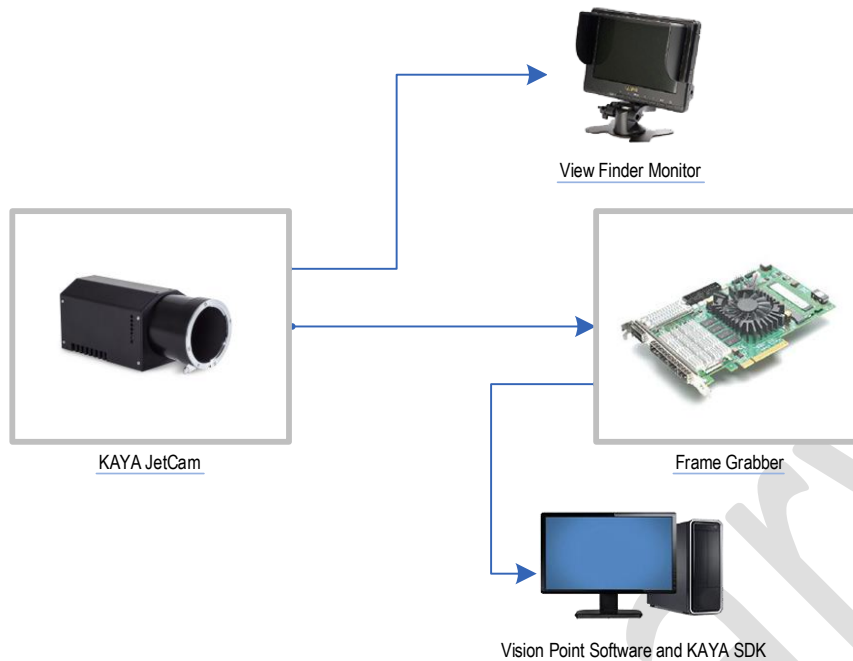


1. Ground
2. RS232 TX1
3. R232 RX1
4. R232 TX2
5. RS232 RX2
6. 12V (Output)

# Mechanical Drawings



# KAYA High Speed Camera Workflow



## Compatibility

**KAYA Instruments** creates and maintains compatibility and interfaces for the most common and advanced vision image processing libraries and applications. Major support is available for **MVTec Halcon**, **National Instruments' LabVIEW** and **MathWorks' MATLAB**.

❖ Supported vision standards:



❖ Supported vision libraries:



❖ Supported operating systems:



Please check our website for an up-to-date list of other supported libraries and software package

International Distributors

**sky blue**  
microsystems

Sky Blue Microsystems GmbH  
Geisenhausenerstr. 18  
81379 Munich, Germany  
+49 89 780 2970, info@skyblue.de  
www.skyblue.de

**ZERIF**  
TECHNOLOGIES LTD.  
A SKY BLUE COMPANY, FOUNDED 1999

In Great Britain:  
Zerif Technologies Ltd.  
Winnington House, 2 Woodberry Grove  
Finchley, London N12 0DR  
+44 115 855 7883, info@zerif.co.uk  
www.zerif.co.uk