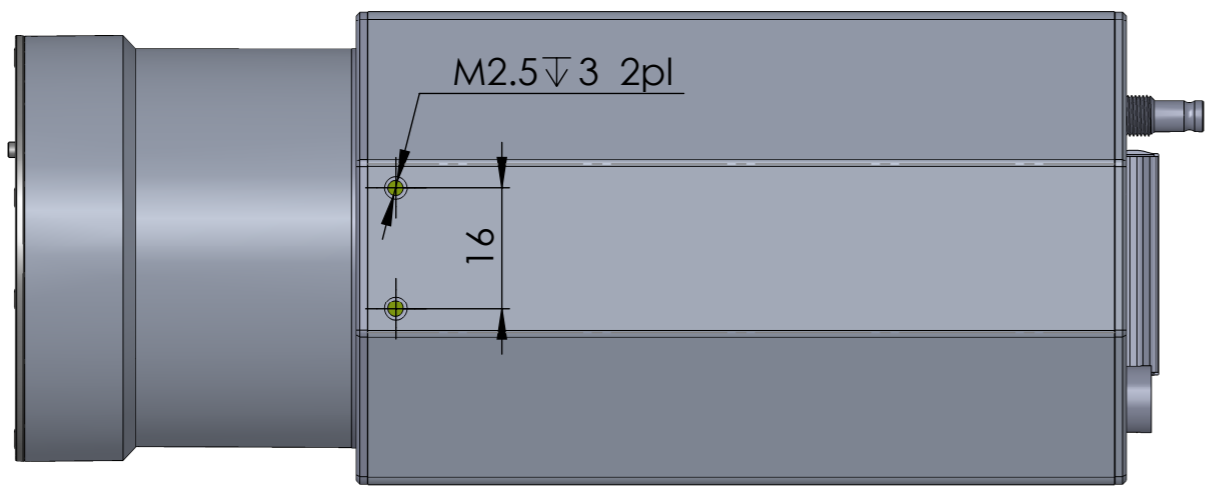
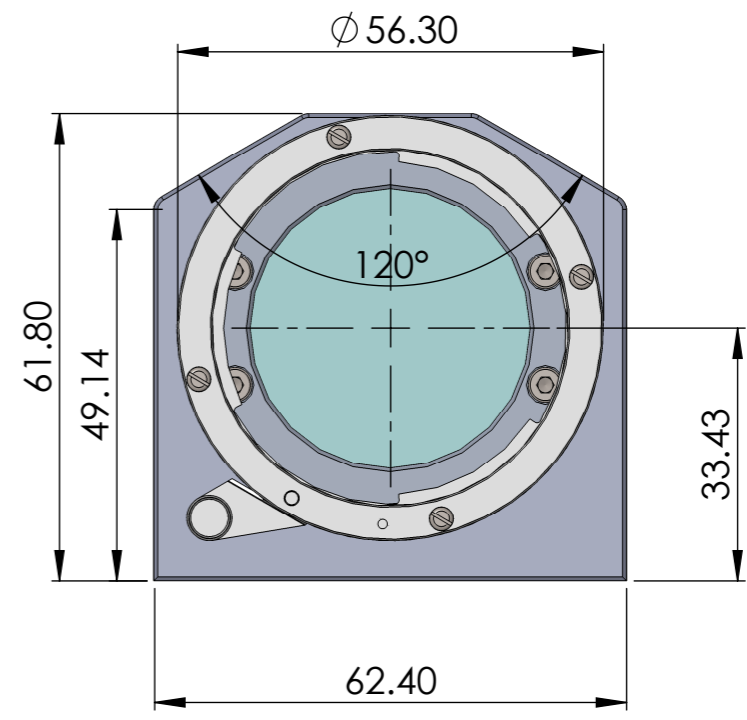
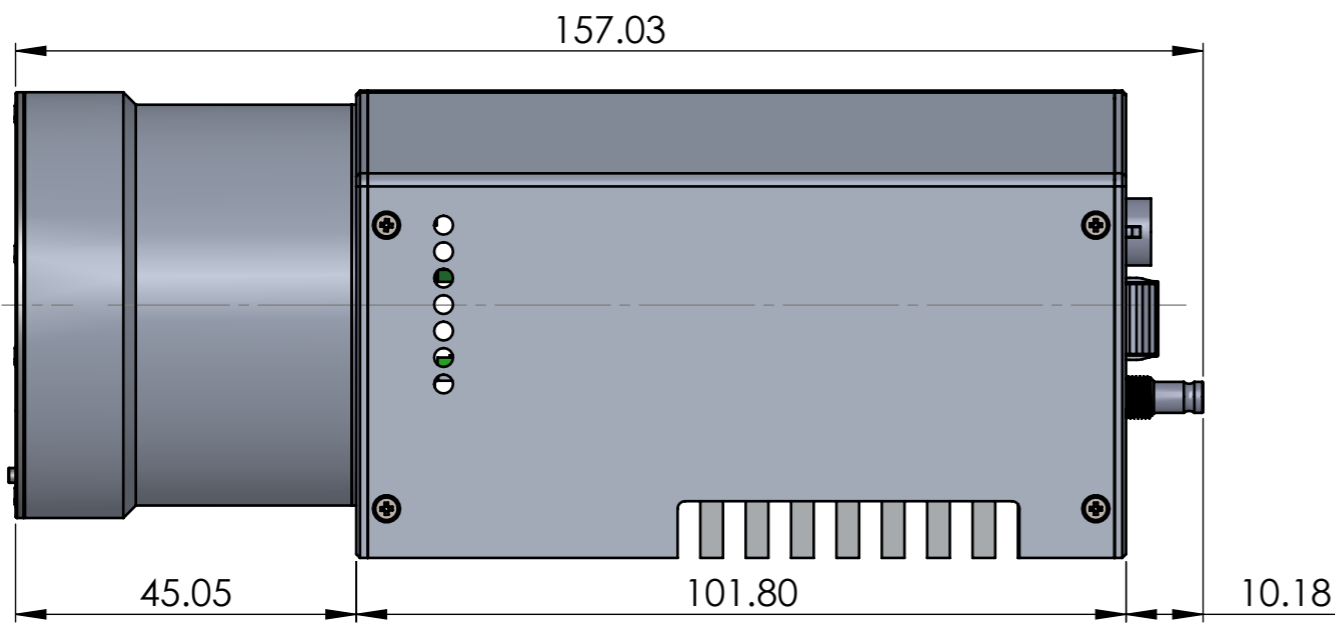
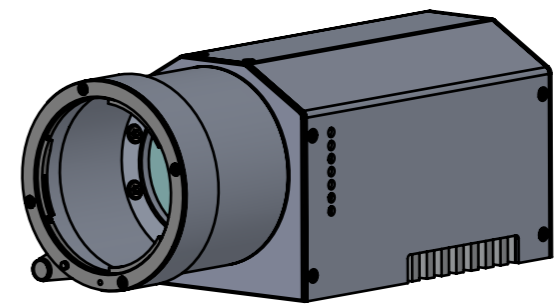
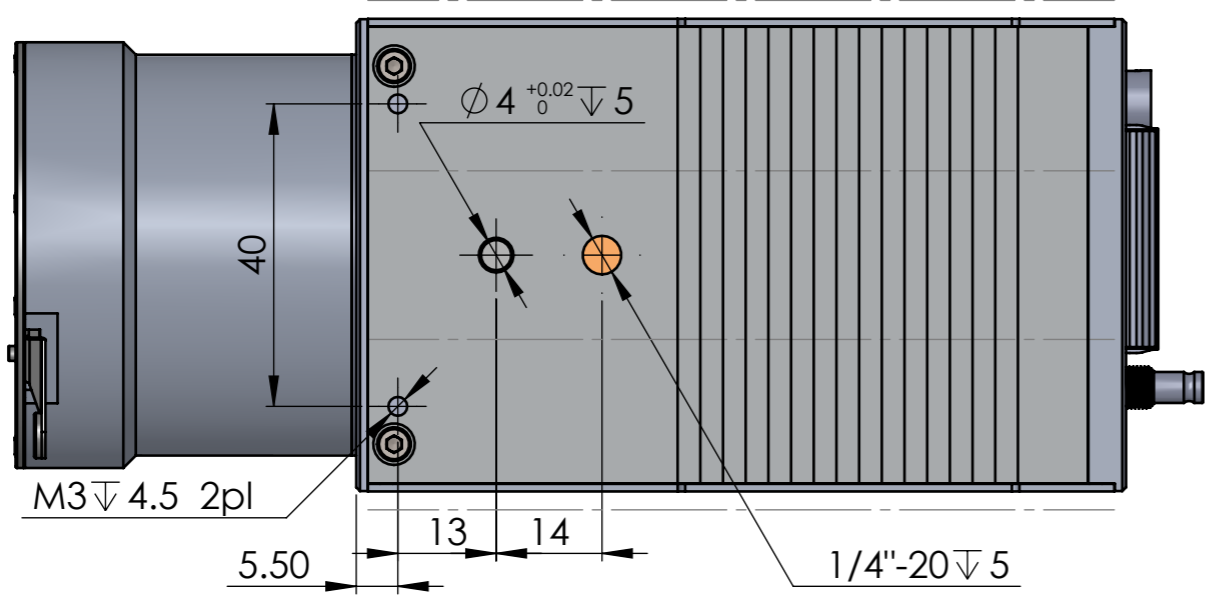


ZONE		REV.	DESCRIPTION	REVISIONS		DATE	APPROVED



International Distributors



Sky Blue Microsystems GmbH  
Geisenhausenerstr. 18  
81379 Munich, Germany  
+49 89 780 2970, info@skyblue.de  
www.skyblue.de



In Great Britain:  
Zerif Technologies Ltd.  
Winnington House, 2 Woodberry Grove  
Finchley, London N12 0DR  
+44 115 855 7883, info@zerif.co.uk  
www.zerif.co.uk

MATERIAL:	Weight	GENERAL TOL:	<b>1:1</b>	PART NAME: JetCam 25	
FINISH:		LENGH: $\pm 0,1$ HOLE CENTERS: $\pm 0,1$ HOLE DIA: $\pm 0,1$ ANGLES: $\pm 0,5^\circ$		PROJECT: JetCam	
DIMENSIONS IN mm BEFORE COATING <input type="checkbox"/> AFTER COATING <input checked="" type="checkbox"/>			SCALE:	ASSY:	QTY. 1
KAYA instruments Ltd			3.2	DWG No	REV.
<small>THE INFORMATION CONTAINED IN THIS DRAWING IS THE SOLE PROPERTY OF KAYA instruments. ANY REPRODUCTION IN PART OR AS A WHOLE WITHOUT THE WRITTEN PERMISSION OF KAYA instruments IS PROHIBITED.</small>		DSG. M. Sister 25.06.2018	MP000	A	
		DRW. M. Sister 25.06.2018	SHEET 1/1		
		CHK. M. Yampolsky			
		APR. M. Yampolsky			