

## MTP/MPO Trunk Cable

### Features

- US Conec MTP® connector, Senko MPO Plus premium connector
- Corning Clearcurve® multimode fiber, SMF-28® Ultra optical fiber
- OS2, OM3, OM4 available
- 0.35dB elite low loss connector
- Factory terminated and tested
- Allow easy migration from 10GbE to 40GbE or 100GbE
- Pulling eyes are provided as an option to protect the fiber ends during installation



### Standards Compliance

- ROHS, CE (EN 50575 CPR) and ISO9001 Compliant
- EIA/TIA, Telecordia GR-326-CORE Standards
- IEC61754-7
- TIA 605-4 (FOCIS 5)
- YD/T1272.5

### Description

The **Single-Mode-LC Fiber Optic Splitter Cable** is a

MTP/MPO trunk multifiber cable assemblies facilitate rapid deployment of high density backbone cabling in data centers and other high fiber environments, reducing network installation or reconfiguration time and cost. They are used to interconnect cassettes, panels or ruggedized MTP/MPO fanouts, spanning MDA, HDA and EDA zones.

## Technical Specification

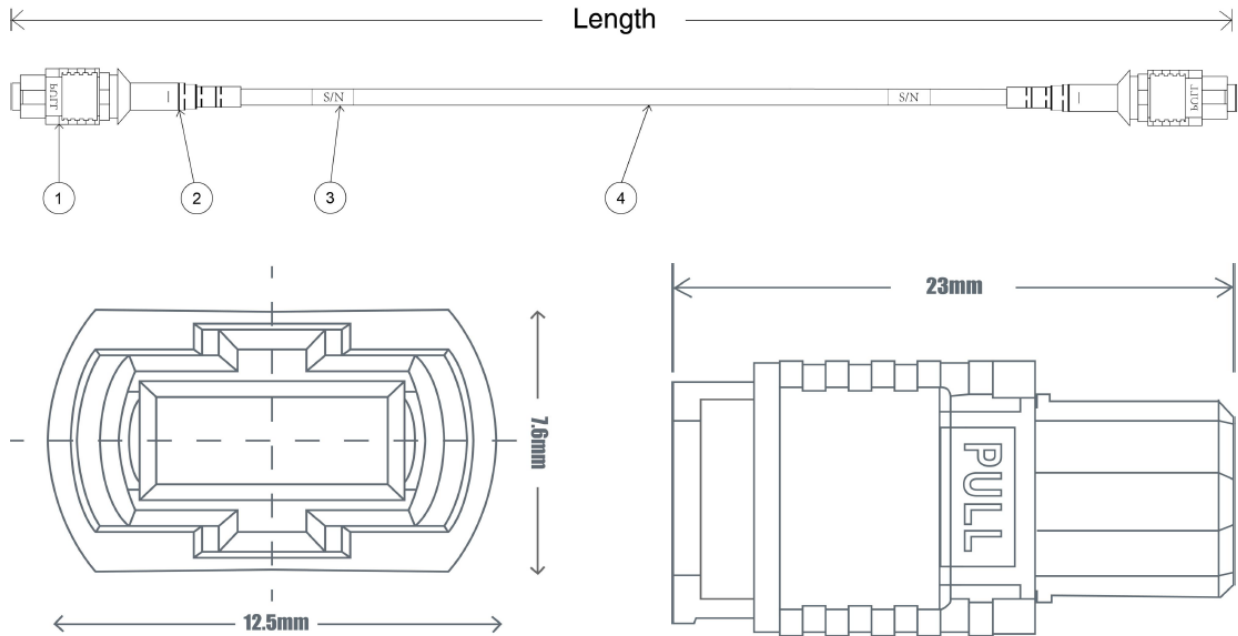
Optical Properties	Description
Attenuation (dB/km)	Single Mode: $\leq 0.32$ at 1310nm, $\leq 0.18$ at 1550nm
Insertion Loss (dB)	Multimode: $\leq 2.3$ at 850nm, $\leq 0.6$ at 1300nm Single Mode: $\leq 0.35$ , Multimode: $\leq 0.35$
Return Loss (dB)	Single Mode: UPC Polish: $\geq 50$ , APC Polish: $\geq 60$
	Multimode: $\geq 20$
Wavelength (nm)	Single Mode: 1310/1550, Multimode: 850/1300
Transmission Distance	OM4: 150m at 40/100G, 400m at 10G OM3: 100m at 40/100G, 300m at 10G

Construction	Description
Fiber Count	8-144 Fibers
Fiber Mode	Single mode: OS2 9/125 $\mu$ m Multimode: OM4 50/125 $\mu$ m, OM3 50/125 $\mu$ m
Fiber Brand	Corning ClearCurve® multimode fiber and SMF-28® Ultra optical fiber
Connector Type	MTP Female, Male; MPO Female, Male
Connector Brand	US Conec MTP®, Senko MPO
Polarity	Type A, Type B, Type C
Cable Jacket Ratings	Plenum (OFNP) Low Smoke Zero Halogen (LSZH) Riser (PVC)
Cable Type	Bunch

Color Codes	MTP	MPO
Cable Jackets	OS2: Yellow OM4: Magenta	OS2: Yellow OM4: Magenta
Boots	OM3: Aqua OS2: Green OM4/OM3: Aqua	OM3: Aqua OS2: Green OM4/OM3: Aqua
Connectors	8 Fibers: Grey 12 Fibers: Black 24 Fibers: Red	8/12/24 Fibers: Black

Physical Properties	Description
Cable Diameter	3.0mm
Breakout Length	0.5/0.3m
Minimum Bend Radius	Single Mode: 10.0mm, Multimode: 7.5mm
Operating Temperature	-10°C to +70°C
Storage Temperature	-40°C to +85°C

## Technical Drawing



1. MTP/MPO Connector
2. Connector Boot
3. Serial Number Label
4. Cable Jacket 3.0mm OD

## Ordering Information

Part Number	Connector Type	Mode	Wavelength	Cable Length	Fiber Mode	Connector Type	Cable Jacket
KY-FCA-023	MTP Female	Multimode	1310/1550nm	2m (7ft)	12F OS2	Type B	Plenum (OFNP)
KY-FCA-034	MTP Female	Single mode	850/1300nm	2m (7ft)	12F OM4	Type B	Plenum (OFNP)

Addresses, phone number and fax number also have been listed at [www.kayainstruments.com](http://www.kayainstruments.com). Please e-mail us at [info@kayainstruments.com](mailto:info@kayainstruments.com) or call us for assistance.

All statements, technical information, and recommendations related to the products herein are based upon information believed to be reliable or accurate. However, the accuracy or completeness thereof is not guaranteed, and no responsibility is assumed for any inaccuracies. Please contact KAYA Instruments for more information.

International Distributors