

# 385A & 385C

FPGA Accelerator Cards

» **8X Peak TFLOPS**

Altera Arria 10 FPGAs include thousands of IEEE754-compliant floating-point DSP cores that deliver up to 1.5 TeraFLOPs, and provide best performance per computing Watt

» **1.8X Bigger FPGA**

More FPGA fabric provides more room for additional accelerator functions

» **33% More Memory Bandwidth**

8 GBytes DDR3 memory @ 2133 MT/s



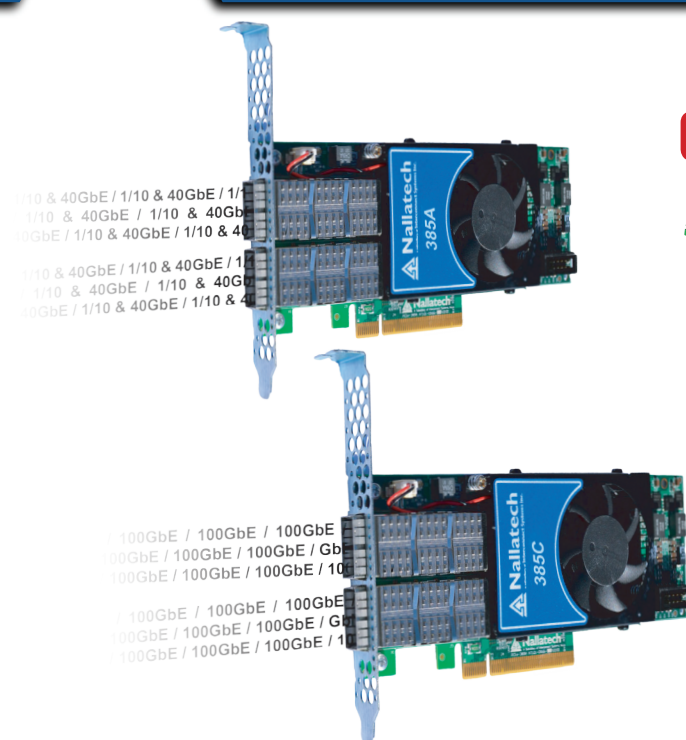
OpenCL



**Arria 10**



**Our Latest Generation FPGA Accelerators Offer Drastically Improved Performance**



**385A** *New Standard in Price Performance*



OpenCL

**4X Network Bandwidth**

- » (2) QSFP Ports configurable as:
- (2) **40GbE** QSFP ports (native)
  - (2) 1/10 GbE SFP ports (with adapter)
  - (8) 1/10 GbE ports (with cable)

**385C** *100 GbE Network Accelerator 10X Network Bandwidth*

- » (2) QSFP Ports configurable as:
- (2) **100GbE** QSFP ports (native)
  - (8) 25 GbE ports (with cable)

The Leader in FPGA Accelerated Computing

## OpenCL Programmable



Nallatech leads the industry with OpenCL™ programmable FPGA solutions, opening the performance of FPGA computing to Software Engineers

OpenCL is the first open-source, unified C-based programming model for accelerating algorithms on heterogeneous CPU-GPU FPGA platforms



The Altera SDK for OpenCL allows the easy implementation of applications onto FPGAs, providing a much faster and higher level software development flow

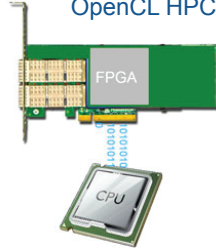
Learn more, visit: [www.Altera.com/OpenCL](http://www.Altera.com/OpenCL)



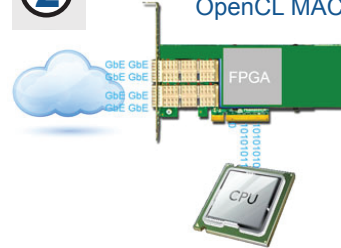
Several Nallatech FPGA Accelerators are available with OpenCL Board Support Packages (BSPs), optimized for Compute and Network acceleration

Learn more, visit: [www.Nallatech.com/OpenCL](http://www.Nallatech.com/OpenCL)

### Option ① Compute Accelerator: OpenCL HPC BSP



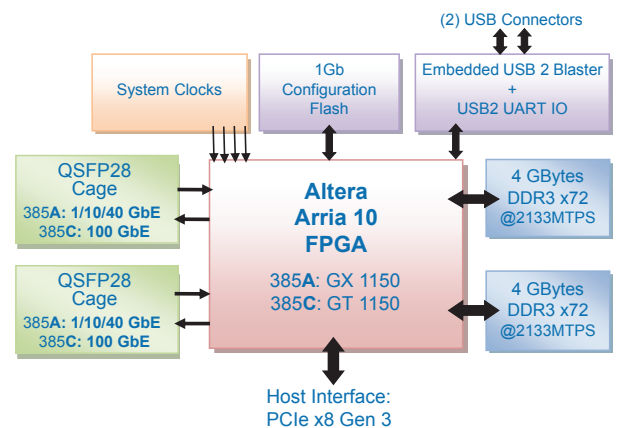
### Option ② Network Accelerator: OpenCL MAC BSP



## Model Information

Product	385A	385C
<b>Part Number</b>	<b>P385A-115-11A-10</b>	<b>P385C-115-11A-10</b>
<b>Configuration</b>	<ul style="list-style-type: none"> <li>Arria 10 1150 <b>GX</b> FPGA</li> <li>Dual <b>40G</b> QSFP28 Ports</li> </ul>	<ul style="list-style-type: none"> <li>Arria 10 1150 <b>GT</b> FPGA</li> <li>Dual <b>100G</b> QSFP28 Ports</li> </ul>
<b>Common Features</b>	<ul style="list-style-type: none"> <li>2 Banks 4G DDR3 SDRAM @ 2133 MT/PS</li> <li>PCIe x8 Gen 3</li> <li>Active Cooling</li> <li>1/2 Height, 1/2 Length, Single Width PCIe Card (NIC Size)</li> </ul>	
<b>OpenCL Support</b>	<ul style="list-style-type: none"> <li>HPC BSP (Co-Processor) Included with Card Purchase</li> <li>MAC BSP (Network Enabled) * Available as an Option</li> </ul>	
<b>Options Available</b>	<ul style="list-style-type: none"> <li>Altera Quartus Software Development Kit Edition w/ OpenCL SDK</li> <li>Altera MAC IP</li> <li>QSFP to SFP Adapter</li> </ul>	<ul style="list-style-type: none"> <li>Altera Quartus Software Development Kit Edition</li> </ul>

## Block Diagram



Turnkey Integrated Platforms Available



International Distributors



Sky Blue Microsystems GmbH  
Geisenhausenerstr. 18  
81379 Munich, Germany  
+49 89 780 2970, info@skyblue.de  
www.skyblue.de



In Great Britain:  
Zerif Technologies Ltd.  
Winnington House, 2 Woodberry Grove  
Finchley, London N12 0DR  
+44 115 855 7883, info@zerif.co.uk  
www.zerif.co.uk