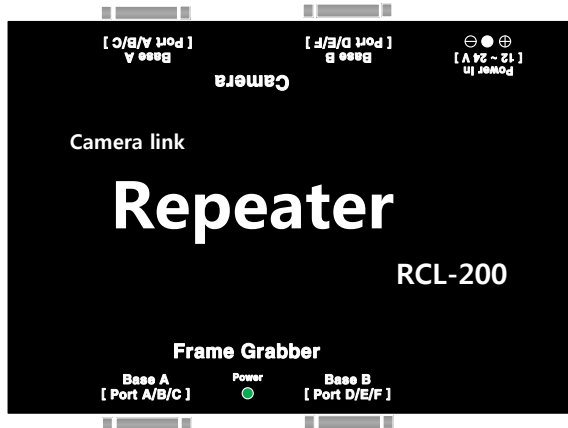


Camera Link Repeater

◆ RCL-200

(Dual Base / Medium Configuration)



Description

Syscom Korea, a leader in pixel to pixel cabling solution based Camera Link cable. Syscom Korea cabling solution is perfect choice for overcoming the problems of facility access, capital cost, distance, EMI, ESD and bandwidth. Camera Link is a high-speed camera/frame grabber interface designed for high performance vision applications. Standard Camera Links delivers signals for 10 meters or less, creating inflexible situations for many applications where longer distance image transmission is required between the camera and the frame grabber.

Key Features

- ◆ All of Camera-Link Interface Compliance (Area and Line Scan)
- ◆ Support Dual Base / Medium Configuration
- ◆ Support Pixel clock from 20 - 85MHz
- ◆ Zero loss and transparent transport
- ◆ Locking DC power connector
- ◆ Attaches to the compact MDR26 connect

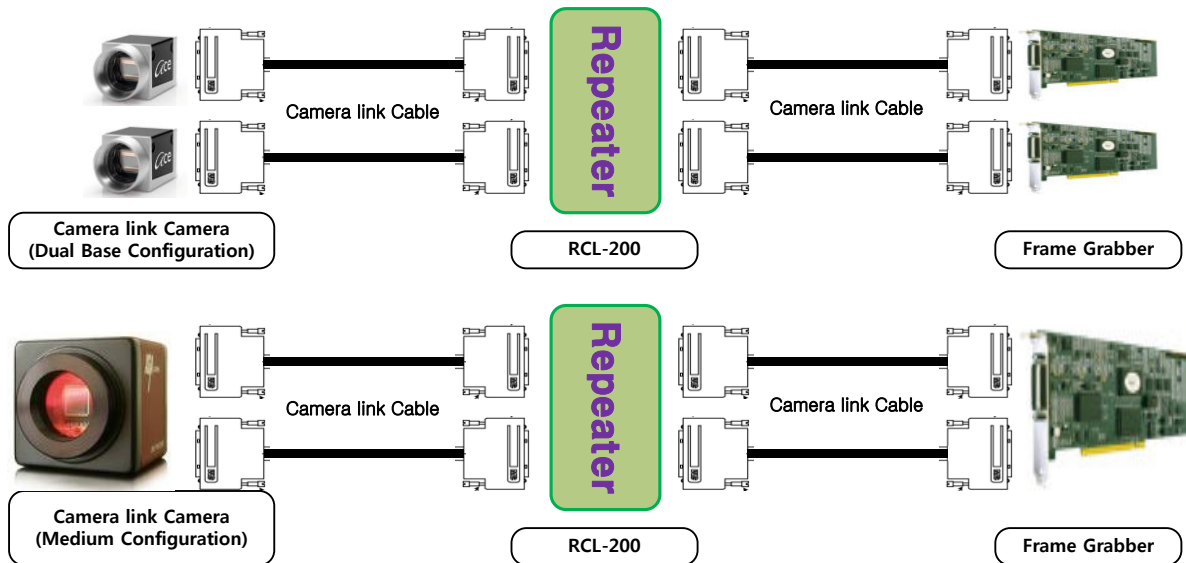
Applications

- ◆ Machine Vision Applications
- ◆ Product inspection - PCB, LCD, Wafer
- ◆ Bar code reading and sorting
- ◆ Medical Imaging
- ◆ Port/Harbor cargo container management
- ◆ Railroad measurement/inspection
- ◆ Cameras placed in harsh environment
- Nuclear plant, Chemical plant, Factory
- ◆ Bridge inspection
- ◆ Military & Defense Applications
- ◆ Astronomy
- ◆ Computer microscopy
- ◆ Multi-media

International Distributors

Camera Link Repeater

Typical Set Up Diagram

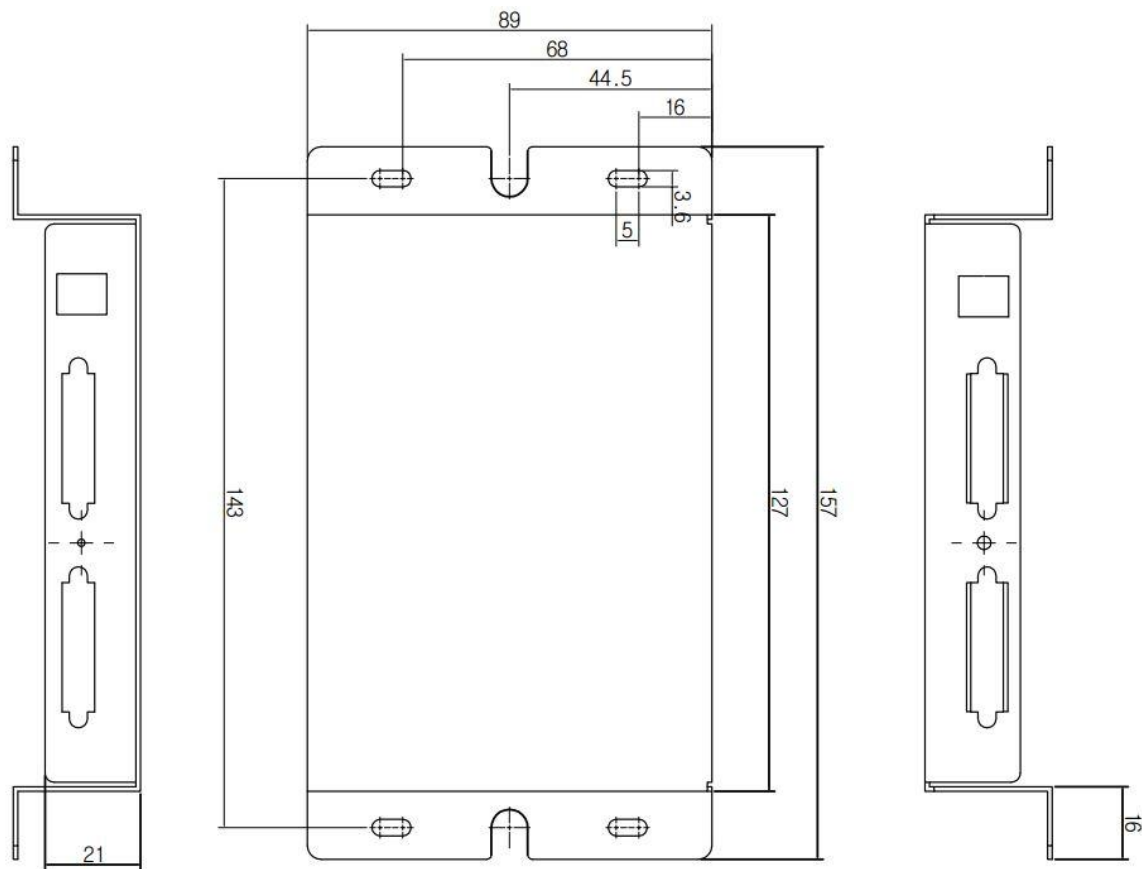


Technical Specifications

Camera link Interface	
Product	RCL-200
Pixel Clock Range	20 ~ 85 [MHz]
Supported Camera Configuration	Base, Medium
Sync. Signals	LVAL, FVAL, DVAL
Camera Control	CC1 ~ CC4
Serial Communication	SerTFG, SerTC
Connector Type	Camera Link (MDR)
Environments	
Operating Temperature	0 ~ 50 [°C]
Input Voltage	DC 12 ~ 24 [V]
Typical Supply Current @ 12V DC	100 [mA]
Connector Type	Molex 53259-0329 Male
Weight (Approximate)	300 Gram each module

Camera Link Repeater

Dimensions



International Distributors