

◆ SCL-100T2

(Base Configuration)



Description

Syscom Korea, a leader in the market of pixel to pixel cabling solution, created Fiber Optics based Camera Link cable. Syscom Korea cabling solution will be a perfect choice for overcoming the problems of facility access, capital cost, distance, EMI, ESD and bandwidth. Camera Link is a high-speed camera/frame grabber interface designed for high performance vision applications. Standard Camera Links deliver signals to 10 meters or less, occurring inflexible situations in many applications which requires longer distance image transmission between the camera and the frame grabber.

The SCL-100T2 Camera Link Splitter interfaces one Camera Link camera to two frame grabbers using standard Camera Link cables. This arrangement enables the addition of a second frame grabber for functions such as camera setup, secondary/parallel processing, monitoring, and recording. One frame grabber acts as master and provides control and communications to the camera. The second frame grabber receives camera video data only.

Key Features

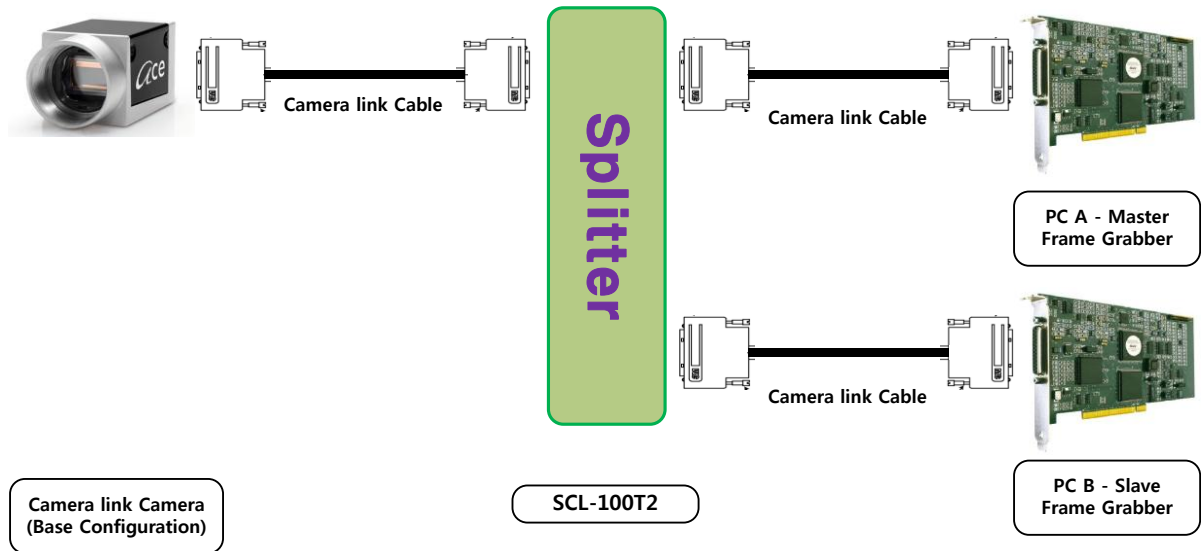
- ◆ All of Camera-Link Interface Compliance (Area and Line Scan)
- ◆ Support Base, Medium and Full Configuration
- ◆ Support Pixel clock from 20 - 85MHz
- ◆ Zero loss and transparent transport
- ◆ Locking DC power connector
- ◆ Attaches to the compact MDR26 connect

Applications

- ◆ Machine Vision Applications
- ◆ Product inspection - PCB, LCD, Wafer
- ◆ Bar code reading and sorting
- ◆ Medical Imaging
- ◆ Port/Harbor cargo container management
- ◆ Railroad measurement/inspection
- ◆ Cameras placed in harsh environment
 - Nuclear plant, Chemical plant, Factory
- ◆ Bridge inspection
- ◆ Military & Defense Applications
- ◆ Astronomy
- ◆ Computer microscopy
- ◆ Multi-media

International Distributors

Typical Set Up Diagram

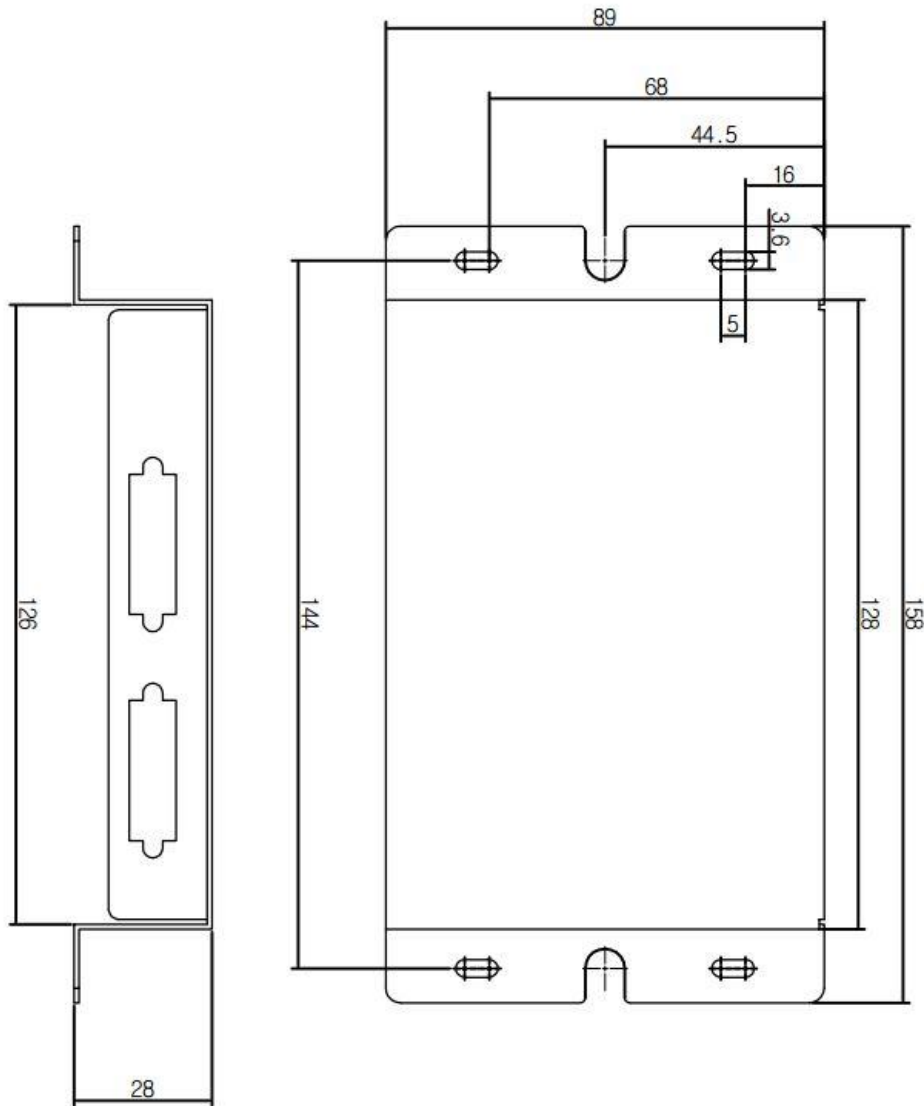


Technical Specifications

Camera link Interface	
Product	SCL-100T2
Pixel Clock Range	20 ~ 85 [MHz]
Supported Camera Configuration	Base
Sync. Signals	LVAL, FVAL, DVAL
Camera Control	CC1 ~ CC4
Serial Communication	SerTFG, SerTC
Connector Type	Camera Link (MDR)

Environments	
Operating Temperature	0 ~ 50 [°C]
Input Voltage	DC 12 ~ 24 [V]
Typical Supply Current @ 12V DC	100 [mA]
Connector Type	Molex 53259-0329 Male
Weight (Approximate)	300 Gram each module

Dimensions



International Distributors

sky blue
microsystems

Sky Blue Microsystems GmbH
Geisenhausenerstr. 18
81379 Munich, Germany
+49 89 780 2970, info@skyblue.de
www.skyblue.de

ZERIF
TECHNOLOGIES LTD.
A SKY BLUE COMPANY, FOUNDED 1999

In Great Britain:
Zerif Technologies Ltd.
Winnington House, 2 Woodberry Grove
Finchley, London N12 0DR
+44 115 855 7883, info@zerif.co.uk
www.zerif.co.uk